

CATALOGO TECNICO 2024

TECHNICAL CATALOGUE
CATALOGUE TECHNIQUE
TECHNISCHER KATALOG

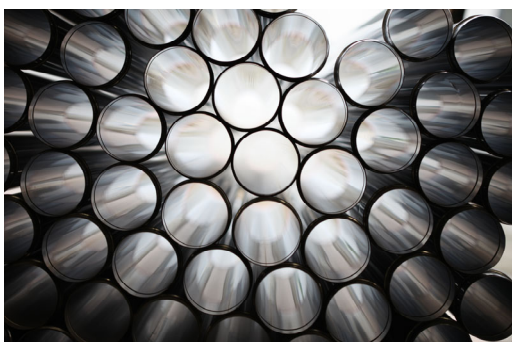
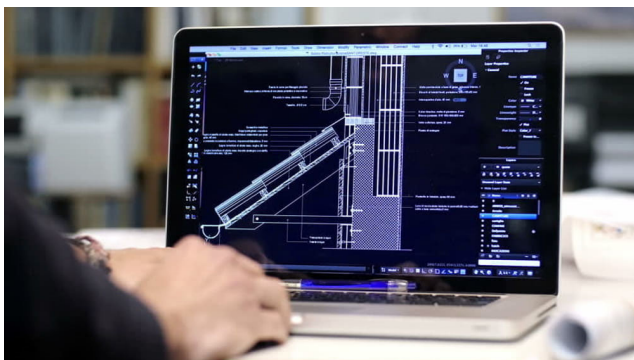
2024

Sistema MONO ECO 04 a parete singola in acciaio inox 316L - D.60

Chimney system MONO ECO 04 - Single wall in stainless steel 316L – D. 60

Conduit de cheminée MONO ECO 04 - Inox 316L simple paroi – D. 60

Schornsteinsystem MONO ECO 04 - Einwandig aus Edelstahl 316L – D. 60



Edizione 2024

Edition
Édition
Ausgabe

2024

Sistema MONO ECO 04

A parete singola in acciaio inox 316L-D.60

Il sistema “MONO ECO 04” è composto da elementi componibili rigidi D.60 con finitura lucida BA spessore 0,4mm. Gli elementi sono realizzati in acciaio inox AISI 316L. Gli elementi hanno un innesto a bicchiere maschio-femmina con sede della guarnizione a triplo labbro. La tenuta meccanica è garantita tramite l'utilizzo della fascetta di giunzione.

“LE MISURE RIPORTATE NEL SEGUENTE CATALOGO TECNICO NON SONO VINCOLANTI. M.T. SRL PUO' VARIARE LE MISURE DI PRODUZIONE, IN BASE ALL'OTTIMIZZAZIONE, IN QUALSIASI MOMENTO”.

Chimney system MONO ECO 04

Single wall in stainless steel 316L-D.60

MONO ECO 04 system is made up of rigid modular elements made of AISI 316L stainless steel BA polished finish, with diameter 60 mm and thickness 0,4 mm. Elements have a spigot joint by slip on male-female coupling with triple lip gasket seat. The joint of the external wall is mechanically sealed, through the use of the locking band.

“THE MEASURES GIVEN IN THE FOLLOWING TECHNICAL CATALOGUE ARE NOT BINDING. AT ANY TIME, COMPANY M.T. SRL MAY VARY THE PRODUCTION MEASURES, BASED ON THE OPTIMIZATION”.

Conduit de cheminée MONO ECO 04

Inox 316L simple paroi-D.60

Le système MONO ECO 04 est composé par d'éléments modulaires rigides en acier inox AISI 316L avec finition polie BA, diamètre 60 mm et épaisseur 0,4 mm. Les éléments ont un emboîtement étanche mâle-femelle avec un siège de joint à triple lèvre. Le joint de la paroi extérieure est par garniture mécanique, grâce à l'utilisation de la bride de sécurité.

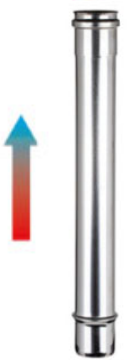
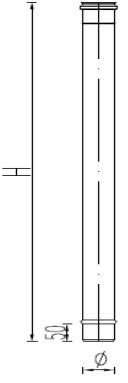
“LES MESURES DONNÉES DANS LE CATALOGUE TECHNIQUE SUIVANT NE SONT PAS CONTRAIGNANTES. L'USINE M.T. SRL PEUT VARIER LES MESURES DE PRODUCTION, SUR LA BASE DE L'OPTIMISATION, À TOUT MOMENT”.

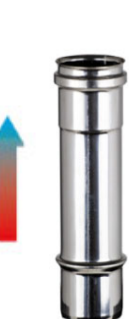
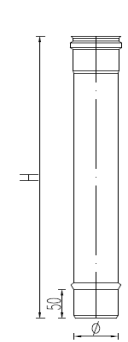
Schornsteinsystem MONO ECO 04


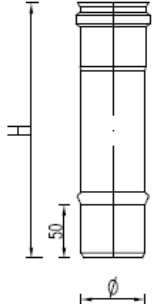
Einwandig aus Edelstahl 316L-D.60


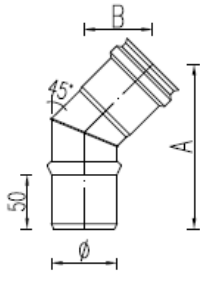
Das System MONO ECO 04 besteht aus starren Modulelementen aus Edelstahl AISI 316L Stahl BA poliert, mit Durchmesser 60 mm und Dicke 0,4 mm. Die Elemente verfügen über eine Verbindung durch Mann-Weib Steckmuffen, mit Dreilippen-Dichtungssitz. Durch den Einsatz des Blockierungsbandes wird die Verbindung der Außenwand mechanisch abgedichtet.


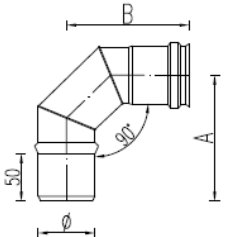
“IM FOLGENDEN TECHNISCHEN KATALOG SIND DIE ANGEGEBENEN MAßE NICHT BINDEND. FIRMA M.T. SRL KANN DIE PRODUKTIONSMASSNAHMEN AUFGRUND DER OPTIMIERUNG JEDERZEIT VARIIEREN”.


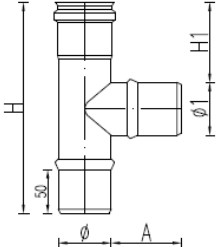
CODICI ARTICOLO ITEM NUMBER NUMÉRO D'ARTICLE ARTIKELNUMMER	DESCRIZIONE DESCRIPTION BESCHREIBUNG					
1001-D...	Elemento lineare L.1000 - Linear element L.1000 Élément droit L.1000 - Lineares Element L.1000					
FOTO PICTURE -PHOTO-BILD	DISEGNO DRAWING- DESSIN- ZEICHNUNG	\emptyset	H	H-50		
		60	1000	950		
		---	---	---		
		---	---	---		
		---	---	---		
		---	---	---		
		---	---	---		
		---	---	---		
		---	---	---		
		---	---	---		
		---	---	---		
		---	---	---		
		---	---	---		
		---	---	---		
		---	---	---		
		---	---	---		
		---	---	---		
		---	---	---		
		---	---	---		


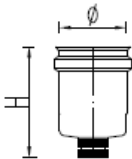
CODICI ARTICOLO ITEM NUMBER NUMÉRO D'ARTICLE ARTIKELNUMMER	DESCRIZIONE DESCRIPTION BESCHREIBUNG					
1002-D...	Elemento lineare L.500 - Linear element L.500 Élément droit L.500 - Lineares Element L.500					
FOTO PICTURE -PHOTO-BILD	DISEGNO DRAWING- DESSIN- ZEICHNUNG	\emptyset	H	H-50		
		60	500	450		
		---	---	---		
		---	---	---		
		---	---	---		
		---	---	---		
		---	---	---		
		---	---	---		
		---	---	---		
		---	---	---		
		---	---	---		
		---	---	---		
		---	---	---		
		---	---	---		
		---	---	---		
		---	---	---		
		---	---	---		
		---	---	---		
		---	---	---		


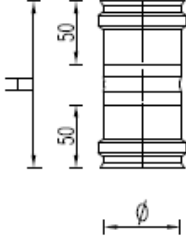
CODICI ARTICOLO ITEM NUMBER NUMÉRO D'ARTICLE ARTIKELNUMMER	DESCRIZIONE DESCRIPTION BESCHREIBUNG					
1003-D...	Elemento lineare L.250 - Linear element L.250 Élément droit L.250 - Lineares Element L.250					
FOTO PICTURE -PHOTO-BILD	DISEGNO DRAWING- DESSIN- ZEICHNUNG	\emptyset	H	H-50		
		60	250	200		
		---	---	---		
		---	---	---		
		---	---	---		
		---	---	---		
		---	---	---		
		---	---	---		
		---	---	---		
		---	---	---		
		---	---	---		
		---	---	---		
		---	---	---		


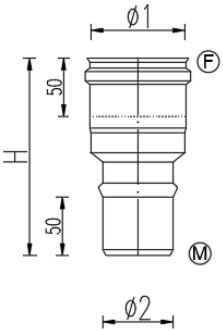
CODICI ARTICOLO ITEM NUMBER NUMÉRO D'ARTICLE ARTIKELNUMMER	DESCRIZIONE DESCRIPTION BESCHREIBUNG					
1253-D...	Curva 45° - 45° Bend Coude 45° - Winkelbogen 45°					
FOTO PICTURE -PHOTO-BILD	DISEGNO DRAWING- DESSIN- ZEICHNUNG	\emptyset	A	B		
		60	150	62		
		---	---	---		
		---	---	---		
		---	---	---		
		---	---	---		
		---	---	---		
		---	---	---		
		---	---	---		
		---	---	---		
		---	---	---		
		---	---	---		
		---	---	---		


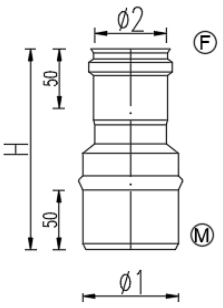
CODICI ARTICOLO ITEM NUMBER NUMÉRO D'ARTICLE ARTIKELNUMMER	DESCRIZIONE DESCRIPTION BESCHREIBUNG					
1254-D...	Curva 90° - 90° Bend Coude 90° - Winkelbogen 90°					
FOTO PICTURE -PHOTO-BILD	DISEGNO DRAWING- DESSIN- ZEICHNUNG	Ø	A	B		
		60	133	130		
		---	---	---		
		---	---	---		
		---	---	---		
		---	---	---		
		---	---	---		
		---	---	---		
		---	---	---		
		---	---	---		
		---	---	---		
		---	---	---		
		---	---	---		


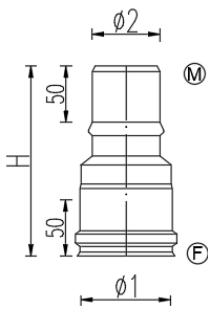
CODICI ARTICOLO ITEM NUMBER NUMÉRO D'ARTICLE ARTIKELNUMMER	DESCRIZIONE DESCRIPTION BESCHREIBUNG						
1051-D...	Raccordo a T 90° (M) - 90° Tee pipe fitting (M) Raccord Té 90° (M) - T-Anschluss 90° (M)						
FOTO PICTURE -PHOTO-BILD	DISEGNO DRAWING- DESSIN- ZEICHNUNG	Ø	H	Ø1	H1	A	
		60	240	60	90	80	
		---	---	---	---	---	
		---	---	---	---	---	---
		---	---	---	---	---	---
		---	---	---	---	---	---
		---	---	---	---	---	---
		---	---	---	---	---	---
		---	---	---	---	---	---
		---	---	---	---	---	---
		---	---	---	---	---	---
		---	---	---	---	---	---
		---	---	---	---	---	---


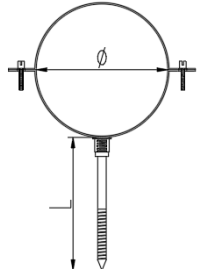
CODICI ARTICOLO ITEM NUMBER NUMÉRO D'ARTICLE ARTIKELNUMMER	DESCRIZIONE DESCRIPTION BESCHREIBUNG						
1201-D	Scarico condensa 3/4" Condensate drain 3/4" Purge condensant 3/4" Kondensatablauf 3/4"						
FOTO PICTURE -PHOTO-BILD	DISEGNO DRAWING- DESSIN- ZEICHNUNG	Ø	H				
		60	100				
		---	---				
		---	---				
		---	---				
		---	---				
		---	---				
		---	---				
		---	---				
		---	---				
		---	---				
		---	---				
		---	---				


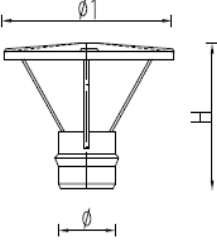
CODICI ARTICOLO ITEM NUMBER NUMÉRO D'ARTICLE ARTIKELNUMMER	DESCRIZIONE DESCRIPTION BESCHREIBUNG							
1014-D...	Elemento doppio bicchiere femmina - Double female muff Manchon double femelle - Muff Weib-Weib							
FOTO PICTURE -PHOTO-BILD	DISEGNO DRAWING- DESSIN- ZEICHNUNG	Ø	H					
		60	132					
		---	---					
		---	---					
		---	---					
		---	---					
		---	---					
		---	---					
		---	---					
		---	---					
		---	---					
		---	---					
		---	---					


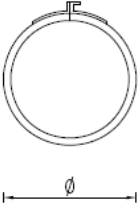
CODICI ARTICOLO ITEM NUMBER NUMÉRO D'ARTICLE ARTIKELNUMMER	DESCRIZIONE DESCRIPTION BESCHREIBUNG					
1255-D...K	Riduzione - Aumento 80F-60M Reducer - Enlarger 80F-60M Réduction - Augmentation 80F-60M Reduzierung - Erhöhung 80W-60M					
FOTO PICTURE -PHOTO-BILD	DISEGNO DRAWING- DESSIN- ZEICHNUNG	Ø1	Ø2	H		
		60	80	169		
		---	---	---		
		---	---	---		
		---	---	---		
		---	---	---		
		---	---	---		
		---	---	---		
		---	---	---		
		---	---	---		
		---	---	---		
		---	---	---		
		---	---	---		


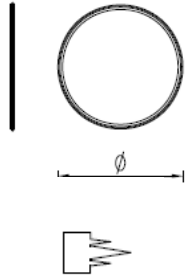
CODICI ARTICOLO ITEM NUMBER NUMÉRO D'ARTICLE ARTIKELNUMMER	DESCRIZIONE DESCRIPTION BESCHREIBUNG					
1255-D...Y	Riduzione - Aumento 80M-60F Reducer - Enlarger 80M-60F Réduction - Augmentation 80M-60F Reduzierung - Erhöhung 80M-60W					
FOTO PICTURE -PHOTO-BILD	DISEGNO DRAWING- DESSIN- ZEICHNUNG	Ø1	Ø2	H		
		60	80	169		
		---	---	---		
		---	---	---		
		---	---	---		
		---	---	---		
		---	---	---		
		---	---	---		
		---	---	---		
		---	---	---		
		---	---	---		
		---	---	---		
		---	---	---		


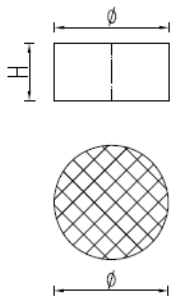
CODICI ARTICOLO ITEM NUMBER NUMÉRO D'ARTICLE ARTIKELNUMMER	DESCRIZIONE DESCRIPTION BESCHREIBUNG					
1255-D...X	Riduzione - Aumento 80F-60F Reducer - Enlarger 80F-60F Réduction - Augmentation 80F-60F Reduzierung - Erhöhung 80W-60W					
FOTO PICTURE -PHOTO-BILD	DISEGNO DRAWING- DESSIN- ZEICHNUNG	Ø1	Ø2	H		
		60	80	169		
		---	---	---		
		---	---	---		
		---	---	---		
		---	---	---		
		---	---	---		
		---	---	---		
		---	---	---		
		---	---	---		
		---	---	---		
		---	---	---		
		---	---	---		


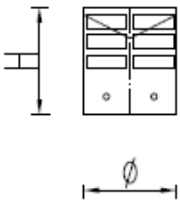
CODICI ARTICOLO ITEM NUMBER NUMÉRO D'ARTICLE ARTIKELNUMMER	DESCRIZIONE DESCRIPTION BESCHREIBUNG					
1357- D	Collare di fissaggio con tassello - Locking clamp with anchor Collier de fixation avec cheville - Befestigungskragen mit Dübel					
FOTO PICTURE -PHOTO-BILD	DISEGNO DRAWING- DESSIN- ZEICHNUNG	Ø	L			
		60	100			
		---	---			
		---	---			
		---	---			
		---	---			
		---	---			
		---	---			
		---	---			
		---	---			
		---	---			
		---	---			
		---	---			

CODICI ARTICOLO ITEM NUMBER NUMÉRO D'ARTICLE ARTIKELNUMMER	DESCRIZIONE DESCRIPTION BESCHREIBUNG					
1401-D...	Terminale parapioggia - Rain cowl Chapeau chinois - Regen Abschlusselement					
FOTO PICTURE -PHOTO-BILD	DISEGNO DRAWING- DESSIN- ZEICHNUNG	Ø	H	Ø1		
		60	140	180		
		---	---	---		
		---	---	---		
		---	---	---		
		---	---	---		
		---	---	---		
		---	---	---		
		---	---	---		
		---	---	---		
		---	---	---		
		---	---	---		
		---	---	---		
		---	---	---		
		---	---	---		

CODICI ARTICOLO ITEM NUMBER NUMÉRO D'ARTICLE ARTIKELNUMMER	DESCRIZIONE DESCRIPTION BESCHREIBUNG						
1353- D	Fascetta di giunzione - Locking band Bride de sécurité - Blockierungsband						
FOTO PICTURE -PHOTO-BILD	DISEGNO DRAWING- DESSIN- ZEICHNUNG	Ø					
		60					

CODICI ARTICOLO ITEM NUMBER NUMÉRO D'ARTICLE ARTIKELNUMMER	DESCRIZIONE DESCRIPTION BESCHREIBUNG					
1354- Ø	Guarnizione - Gasket Joint - Dichtung					
FOTO PICTURE -PHOTO-BILD	DISEGNO DRAWING- DESSIN- ZEICHNUNG	Ø				
		60				

CODICI ARTICOLO ITEM NUMBER NUMÉRO D'ARTICLE ARTIKELNUMMER	DESCRIZIONE DESCRIPTION BESCHREIBUNG					
1410- D...	Griglia di aspirazione - Air intake grid Grille admission air - Lufteinlassgilter					
FOTO PICTURE -PHOTO-BILD	DISEGNO DRAWING- DESSIN- ZEICHNUNG	Ø	H			
		60	30			
		---	---			

CODICI ARTICOLO ITEM NUMBER NUMÉRO D'ARTICLE ARTIKELNUMMER	DESCRIZIONE DESCRIPTION BESCHREIBUNG					
1407-D...	Griglia scarico fumi Smoke exhaust grid Grille évacuation fumées Rauchabzugsgitter					
FOTO PICTURE -PHOTO-BILD	DISEGNO DRAWING- DESSIN- ZEICHNUNG	\emptyset	H			
		60	70			
		---	---			
		---	---			
		---	---			
		---	---			
		---	---			
		---	---			
		---	---			
		---	---			
		---	---			
		---	---			
		---	---			