



Leghe speciali
Camini inox ad alta efficienza

CATALOGO TECNICO 2024
Vers. CT_PPINOX-10_01-2024
(01.02.2024)

CATALOGO TECNICO 2024

TECHNICAL CATALOGUE
CATALOGUE TECHNIQUE
TECHNISCHER KATALOG

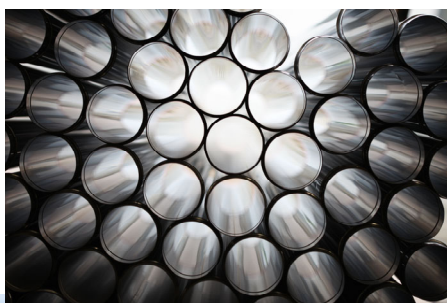
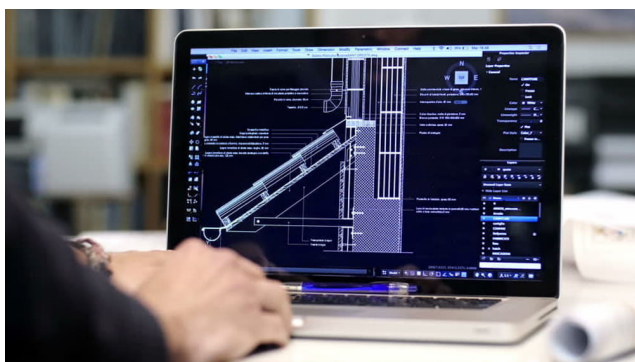
2024

PPINOX-10 - PPRAME-10

PPINOX-10 and PPRAME-10

PPINOX-10 et PPRAME-10

PPINOX-10 und PPRAME-10



Edizione 2024

Edition
Édition
Ausgabe

2024

PPINOX-10 e PPRAME-10

Sistemi PPINOX-10 e PPRAME-10 PPS rivestiti in Inox o Rame

I sistemi PPINOX-10 e PPRAME-10 sono composti da elementi componibili rigidi coassiali: la parete interna è in polipropilene bianco; la parete esterna è in acciaio inox Aisi 304 spessore 0,4 mm standard con finitura lucida BA. Su richiesta, la parete esterna può essere in rame.

I componenti interni hanno un innesto a bicchiere maschio-femmina con sede della guarnizione a triplo labbro. Per la parete esterna è utilizzato un incastro a tenuta meccanica tramite l'utilizzo della fascetta di giunzione.

"LE MISURE RIPORTATE NEL SEGUENTE CATALOGO TECNICO NON SONO VINCOLANTI.

M.T. SRL PUO' VARIARE LE MISURE DI PRODUZIONE, IN BASE ALL'OTTIMIZZAZIONE, IN QUALSIASI MOMENTO".

PPINOX-10 and PPRAME-10 PPS systems lined with stainless steel or copper

The PPINOX-10 and PPRAME-10 systems are made up of coaxial rigid modular elements: the internal wall is in white polypropylene; the external wall is in standard 0,4 mm thick Aisi 304 stainless steel with BA polished finish. Upon request, the outer wall can be made of copper. Internal elements have a spigot joint by slip on male-female coupling with triple lip gasket seat. The joint of the external wall is mechanically sealed, through the use of the locking band.

"THE MEASURES GIVEN IN THE FOLLOWING TECHNICAL CATALOGUE ARE NOT BINDING. AT ANY TIME, COMPANY M.T. SRL MAY VARY THE PRODUCTION MEASURES, BASED ON THE OPTIMIZATION".

Systèmes PPS PPINOX-10 et PPRAME-10 revêtus d'acier inoxydable ou de cuivre

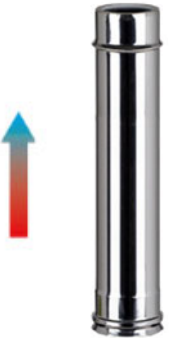
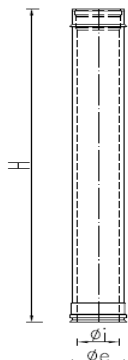
Les systèmes PPINOX-10 et PPRAME-10 sont composés par d'éléments modulaires rigides coaxiaux : la paroi interne est en polypropylène blanc ; la paroi extérieure est en acier inoxydable Aisi 304 standard de 0,4 mm d'épaisseur avec finition polie BA. Sur demande, la paroi extérieure peut être en cuivre. Les éléments internes ont un emboîtement étanche mâle-femelle avec un siège de joint à triple lèvre. Le joint de la paroi extérieure est par garniture mécanique, grâce à l'utilisation de la bride de sécurité.


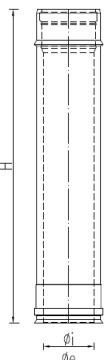
"LES MESURES DONNÉES DANS LE CATALOGUE TECHNIQUE SUIVANT NE SONT PAS CONTRAIGNANTES. L'USINE M.T. SRL PEUT VARIER LES MESURES DE PRODUCTION, SUR LA BASE DE L'OPTIMISATION, À TOUT MOMENT".


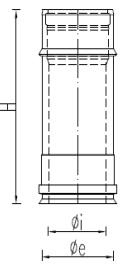
PPINOX-10 und PPRAME-10 PPS-Systeme mit Edelstahl oder Kupferauskleidung


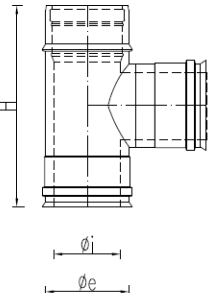
Die Systeme PPINOX-10 und PPRAME-10 bestehen aus koaxialen, starren Modulelementen: die Innenwand besteht aus weißem Polypropylen; die Außenwand besteht standardmäßig aus 0,4 mm dickem Edelstahl Aisi 304 mit polierter BA-Oberfläche. Auf Wunsch kann die Außenwand aus Kupfer gefertigt werden. Interne Elemente verfügen über eine Verbindung durch Mann-Weib Steckmuffen, mit Dreilippen-Dichtungssitz. Durch den Einsatz des Blockierungsbandes wird die Verbindung der Außenwand mechanisch abgedichtet.


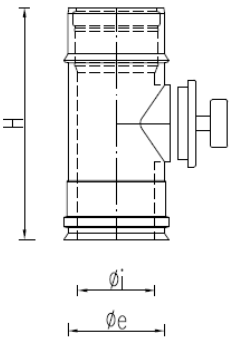
"IM FOLGENDEN TECHNISCHEN KATALOG SIND DIE ANGEGBENEN MAßE NICHT BINDEND. FIRMA M.T. SRL KANN DIE PRODUKTIONSMASSNAHMEN AUFGRUND DER OPTIMIERUNG JEDERZEIT VARIIEREN".


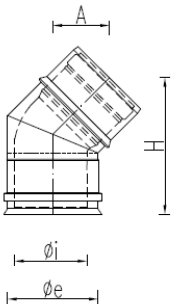
CODICI ARTICOLO ITEM NUMBER NUMÉRO D'ARTICLE ARTIKELNUMMER	DESCRIZIONE DESCRIPTION BESCHREIBUNG					
6001-A... 6001-R...	Elemento lineare L.1000 - Linear element L.1000 Élément droit L.1000 - Lineares Element L.1000					
FOTO PICTURE -PHOTO-BILD	DISEGNO DRAWING- DESSIN- ZEICHNUNG	\varnothing_i	\varnothing_e	H		
		80	100	1000		
		100	120	1000		
		---	---	---		
		---	---	---		
		---	---	---		
		---	---	---		
		---	---	---		
		---	---	---		
		---	---	---		
		---	---	---		
		---	---	---		


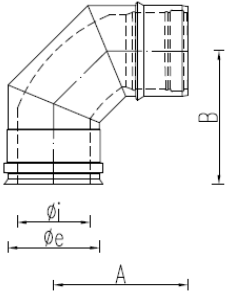
CODICI ARTICOLO ITEM NUMBER NUMÉRO D'ARTICLE ARTIKELNUMMER	DESCRIZIONE DESCRIPTION BESCHREIBUNG					
6002-A... 6002-R...	Elemento lineare L.500 - Linear element L.500 Élément droit L.500 - Lineares Element L.500					
FOTO PICTURE -PHOTO-BILD	DISEGNO DRAWING- DESSIN- ZEICHNUNG	\varnothing_i	\varnothing_e	H		
		80	100	500		
		100	120	500		
		---	---	---		
		---	---	---		
		---	---	---		
		---	---	---		
		---	---	---		
		---	---	---		
		---	---	---		
		---	---	---		
		---	---	---		

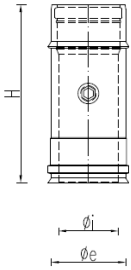
CODICI ARTICOLO ITEM NUMBER NUMÉRO D'ARTICLE ARTIKELNUMMER	DESCRIZIONE DESCRIPTION BESCHREIBUNG					
6003-A... 6003-R...	Elemento lineare L.250 - Linear element L.250 Élément droit L.250 - Lineares Element L.250					
FOTO PICTURE -PHOTO-BILD	DISEGNO DRAWING- DESSIN- ZEICHNUNG	\varnothing_i	\varnothing_e	H		
		80	100	250		
		100	120	250		
		---	---	---		
		---	---	---		
		---	---	---		
		---	---	---		
		---	---	---		
		---	---	---		
		---	---	---		
		---	---	---		


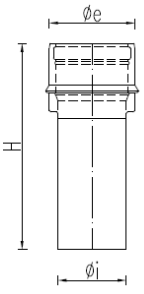
CODICI ARTICOLO ITEM NUMBER NUMÉRO D'ARTICLE ARTIKELNUMMER	DESCRIZIONE DESCRIPTION BESCHREIBUNG					
6051-A... 6051-R...	Raccordo a T 87° 87° Tee pipe fitting Raccord Té 87° T-Anschluss 87°					
FOTO PICTURE -PHOTO-BILD	DISEGNO DRAWING- DESSIN- ZEICHNUNG	\varnothing_i	\varnothing_e	H		
		80	100	240		
		100	120	325		
		---	---	---		
		---	---	---		
		---	---	---		
		---	---	---		
		---	---	---		
		---	---	---		
		---	---	---		
		---	---	---		

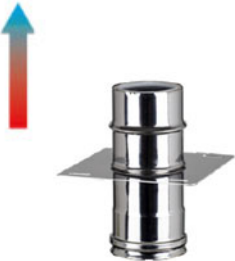
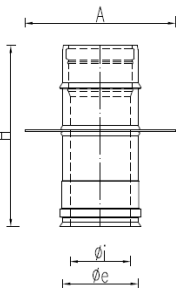
CODICI ARTICOLO ITEM NUMBER NUMÉRO D'ARTICLE ARTIKELNUMMER	DESCRIZIONE DESCRIPTION BESCHREIBUNG					
6058-A... 6058-R...	Elemento di ispezione con tappo (200°C) Inspection element with plug (200°C) Élément d'inspection avec tampon (200°C) Inspektionselement mit Kappe (200°C)					
FOTO PICTURE -PHOTO-BILD	DISEGNO DRAWING- DESSIN- ZEICHNUNG	\varnothing_i	\varnothing_e	H		
		80	100	240		
		100	120	325		
		---	---	---		
		---	---	---		
		---	---	---		
		---	---	---		
		---	---	---		
		---	---	---		
		---	---	---		
		---	---	---		
		---	---	---		
		---	---	---		

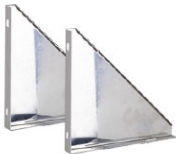
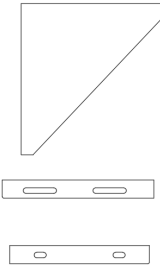
CODICI ARTICOLO ITEM NUMBER NUMÉRO D'ARTICLE ARTIKELNUMMER	DESCRIZIONE DESCRIPTION BESCHREIBUNG					
6253-A... 6253-R...	Curva 45° - 45° Bend Coude 45° - Winkelbogen 45°					
FOTO PICTURE -PHOTO-BILD	DISEGNO DRAWING- DESSIN- ZEICHNUNG	\varnothing_i	\varnothing_e	H	A	
		80	100	151	63	
		100	120	171	71	
		---	---	---		
		---	---	---		
		---	---	---		
		---	---	---		
		---	---	---		
		---	---	---		
		---	---	---		
		---	---	---		
		---	---	---		
		---	---	---		


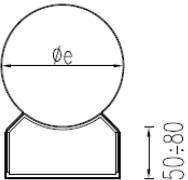
CODICI ARTICOLO ITEM NUMBER NUMÉRO D'ARTICLE ARTIKELNUMMER	DESCRIZIONE DESCRIPTION BESCHREIBUNG					
6254-A... 6254-R...	Curva 87° 87° Bend Coude 87° Winkelbogen 87°					
FOTO PICTURE -PHOTO-BILD	DISEGNO DRAWING- DESSIN- ZEICHNUNG	\varnothing_i	\varnothing_e	A	B	
		80	100	147	147	
		100	120	160	160	
		---	---	---	---	
		---	---	---	---	
		---	---	---	---	
		---	---	---	---	
		---	---	---	---	
		---	---	---	---	
		---	---	---	---	
		---	---	---	---	
		---	---	---	---	


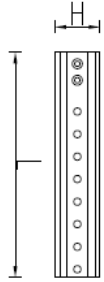
CODICI ARTICOLO ITEM NUMBER NUMÉRO D'ARTICLE ARTIKELNUMMER	DESCRIZIONE DESCRIPTION BESCHREIBUNG								
6163-A... 6163-R...	Elemento di prelievo fumi Element for sampling smokes Élément prélèvement fumeés Element zur Probenahme des Rauch								
FOTO PICTURE -PHOTO-BILD	DISEGNO DRAWING- DESSIN- ZEICHNUNG	\varnothing_i	\varnothing_e	H					
		80	100	240					
		100	120	240					
		---	---	---					
		---	---	---					
		---	---	---					
		---	---	---					
		---	---	---					
		---	---	---					
		---	---	---					


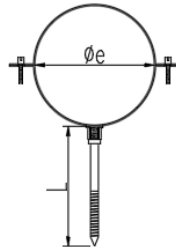
CODICI ARTICOLO ITEM NUMBER NUMÉRO D'ARTICLE ARTIKELNUMMER	DESCRIZIONE DESCRIPTION BESCHREIBUNG								
6056-A... 6056-R...	Adattatore Inox-PPS a PPS Mono SS-PPS to PPS SW adapter Adaptateur Inox-PPS à PPS SP Edelstahl-PPS zu PPS EW Adapter								
FOTO PICTURE -PHOTO-BILD	DISEGNO DRAWING- DESSIN- ZEICHNUNG	\varnothing_i	\varnothing_e	H					
		80	100	240					
		100	120	240					
		---	---	---					
		---	---	---					
		---	---	---					
		---	---	---					
		---	---	---					
		---	---	---					
		---	---	---					


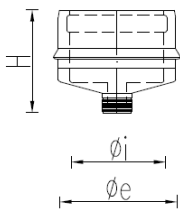
CODICI ARTICOLO ITEM NUMBER NUMÉRO D'ARTICLE ARTIKELNUMMER	DESCRIZIONE DESCRIPTION BESCHREIBUNG					
6104-A... 6104-R...	Piastra di ancoraggio intermedia Intermediate anchorage plate Plaque d'encrage intermédiaire Zwischenankerplatte					
FOTO PICTURE -PHOTO-BILD	DISEGNO DRAWING- DESSIN- ZEICHNUNG	\varnothing_i	\varnothing_e	H	A	
		80	100	240	200	
		100	120	240	220	
		---	---	---	---	
		---	---	---	---	
		---	---	---	---	
		---	---	---	---	
		---	---	---	---	
		---	---	---	---	
		---	---	---	---	
		---	---	---	---	
		---	---	---	---	
		---	---	---	---	
		---	---	---	---	

CODICI ARTICOLO ITEM NUMBER NUMÉRO D'ARTICLE ARTIKELNUMMER	DESCRIZIONE DESCRIPTION BESCHREIBUNG					
3108-A... 3108-R...	Supporto a muro 50÷80mm Wall support 50÷80mm Équerre support mural 50÷80mm Wandunterstützung 50÷80mm					
FOTO PICTURE -PHOTO-BILD	DISEGNO DRAWING- DESSIN- ZEICHNUNG	$\varnothing i$	$\varnothing e$			
		80	100			
		100	120			
		---	---			
		---	---			
		---	---			
		---	---			
		---	---			
		---	---			
		---	---			


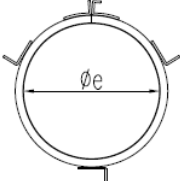
CODICI ARTICOLO ITEM NUMBER NUMÉRO D'ARTICLE ARTIKELNUMMER	DESCRIZIONE DESCRIPTION BESCHREIBUNG					
3354-A... 3354-R...	Staffa a muro 50÷80mm nervata Moulded wall band 50÷80mm Bride murale 50÷80mm moulée Geformter Wandhalter 50÷80mm					
FOTO PICTURE -PHOTO-BILD	DISEGNO DRAWING- DESSIN- ZEICHNUNG	$\varnothing i$	$\varnothing e$			
		80	100			
		100	120			
		---	---			
		---	---			
		---	---			
		---	---			
		---	---			
		---	---			
		---	---			


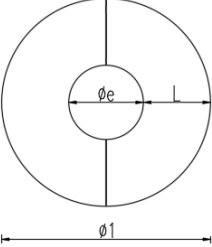
CODICI ARTICOLO ITEM NUMBER NUMÉRO D'ARTICLE ARTIKELNUMMER	DESCRIZIONE DESCRIPTION BESCHREIBUNG					
2355-A... 2355-C...	Prolunghe per staffa a muro nervata Extensions for moulded wall band Extensions pour bride murale moulée Erweiterungen für geformter Wandhalter					
FOTO PICTURE -PHOTO-BILD	DISEGNO DRAWING- DESSIN- ZEICHNUNG	L	H			
		100	40			
		200	40			
		---	---			
		---	---			
		---	---			
		---	---			
		---	---			
		---	---			
		---	---			
		---	---			
		---	---			

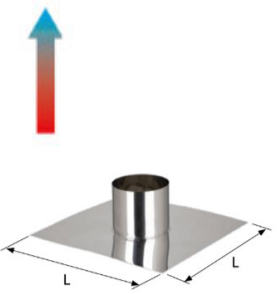
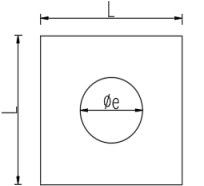
CODICI ARTICOLO ITEM NUMBER NUMÉRO D'ARTICLE ARTIKELNUMMER	DESCRIZIONE DESCRIPTION BESCHREIBUNG					
3357-A... 3357-R...	Collare di fissaggio con tassello Locking clamp with anchor Collier de fixation avec cheville Befestigungskragen mit Dübel					
FOTO PICTURE -PHOTO-BILD	DISEGNO DRAWING- DESSIN- ZEICHNUNG	Øi	Øe			
		80	100			
		100	120			
		---	---			
		---	---			
		---	---			
		---	---			
		---	---			
		---	---			
		---	---			
		---	---			
		---	---			

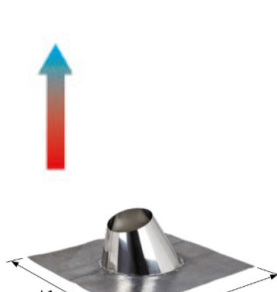
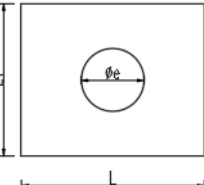
CODICI ARTICOLO ITEM NUMBER NUMÉRO D'ARTICLE ARTIKELNUMMER	DESCRIZIONE DESCRIPTION BESCHREIBUNG					
6202-A... 6202-R...	Scarico condensa Drain cap Tampon purge Verschlusskappem it Säuberung					
FOTO PICTURE -PHOTO-BILD	DISEGNO DRAWING- DESSIN- ZEICHNUNG	\varnothing_i	\varnothing_e	H		
		80	100	90		
		100	120	90		
		---	---	---		
		---	---	---		
		---	---	---		
		---	---	---		
		---	---	---		
		---	---	---		
		---	---	---		
		---	---	---		

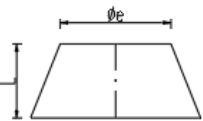
CODICI ARTICOLO ITEM NUMBER NUMÉRO D'ARTICLE ARTIKELNUMMER	DESCRIZIONE DESCRIPTION BESCHREIBUNG					
3353-A... 3353-R...	Fascetta di giunzione Locking band Bride de sécurité Blockierungsband					
FOTO PICTURE -PHOTO-BILD	DISEGNO DRAWING- DESSIN- ZEICHNUNG	\varnothing_i	\varnothing_e			
		80	100			
		100	120			
		---	---			
		---	---			
		---	---			
		---	---			
		---	---			
		---	---			
		---	---			
		---	---			


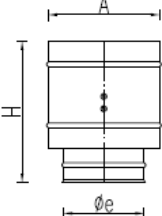
CODICI ARTICOLO ITEM NUMBER NUMÉRO D'ARTICLE ARTIKELNUMMER	DESCRIZIONE DESCRIPTION BESCHREIBUNG					
3352-A...	Fascetta a cavi tiranti Guy wire bracket Bride de haubanage Kabelbinden Band					
FOTO PICTURE -PHOTO-BILD	DISEGNO DRAWING- DESSIN- ZEICHNUNG	\varnothing_i	\varnothing_e			
		80	100			
		100	120			
		---	---			
		---	---			
		---	---			
		---	---			
		---	---			
		---	---			
		---	---			
		---	---			
		---	---			


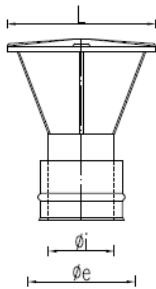
CODICI ARTICOLO ITEM NUMBER NUMÉRO D'ARTICLE ARTIKELNUMMER	DESCRIZIONE DESCRIPTION BESCHREIBUNG					
3313-A... 6313-R...	Rosone piano 0° ÷ 21° Flat ring 0° ÷ 21° Rosace platte 0° ÷ 21° Flacher Ring 0° ÷ 21°					
FOTO PICTURE -PHOTO-BILD	DISEGNO DRAWING- DESSIN- ZEICHNUNG	\varnothing_i	\varnothing_e	\varnothing_1		
		80	100	200		
		100	120	220		
		---	---	---		
		---	---	---		
		---	---	---		
		---	---	---		
		---	---	---		
		---	---	---		
		---	---	---		
		---	---	---		
		---	---	---		
		---	---	---		


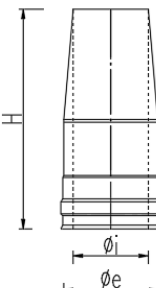
CODICI ARTICOLO ITEM NUMBER NUMÉRO D'ARTICLE ARTIKELNUMMER	DESCRIZIONE DESCRIPTION BESCHREIBUNG					
3302-A... 3302-R...	Faldale piano base inox Flat flashing stainless steel base Solin plat base inox Flasche Abdichtung Base aus Edelstahl					
FOTO PICTURE -PHOTO-BILD	DISEGNO DRAWING- DESSIN- ZEICHNUNG	\varnothing_i	\varnothing_e	L		
		80	100	500		
		100	120	500		
		---	---	---		
		---	---	---		
		---	---	---		
		---	---	---		
		---	---	---		
		---	---	---		
		---	---	---		
		---	---	---		
		---	---	---		

CODICI ARTICOLO ITEM NUMBER NUMÉRO D'ARTICLE ARTIKELNUMMER	DESCRIZIONE DESCRIPTION BESCHREIBUNG					
3301-A... 3301-R...	Faldale inclinato base piombo 17° - 21° Sloped flashing 17° - 21° lead base Solin incliné 17° - 21° base plomb Geneigte Abdichtung 17° - 21° Base aus Blei					
FOTO PICTURE -PHOTO-BILD	DISEGNO DRAWING- DESSIN- ZEICHNUNG	\varnothing_i	\varnothing_e	L1	L	
		80	100	620	1000	
		100	120	620	1000	
		---	---	---	---	
		---	---	---	---	
		---	---	---	---	
		---	---	---	---	
		---	---	---	---	
		---	---	---	---	
		---	---	---	---	
		---	---	---	---	
		---	---	---	---	

CODICI ARTICOLO ITEM NUMBER NUMÉRO D'ARTICLE ARTIKELNUMMER	DESCRIZIONE DESCRIPTION BESCHREIBUNG					
3306-A... 3306-R...	Scossalina per faldale Collar for flashing Collettere de solin Abdeckung für Abdichtung					
FOTO PICTURE -PHOTO-BILD	DISEGNO DRAWING- DESSIN- ZEICHNUNG	\varnothing_i	\varnothing_e	H		
		80	100	80		
		100	120	80		
		---	---	---		
		---	---	---		
		---	---	---		
		---	---	---		
		---	---	---		
		---	---	---		
		---	---	---		
		---	---	---		

CODICI ARTICOLO ITEM NUMBER NUMÉRO D'ARTICLE ARTIKELNUMMER	DESCRIZIONE DESCRIPTION BESCHREIBUNG					
3405-A... 3405-R...	Terminale antivento Anti-wind cowl Chapeau anti refoleur Anti-Windhaube					
FOTO PICTURE -PHOTO-BILD	DISEGNO DRAWING- DESSIN- ZEICHNUNG	\varnothing_i	\varnothing_e	H	A	
		80	100	230	180	
		100	120	230	180	
		---	---	---	---	
		---	---	---	---	
		---	---	---	---	
		---	---	---	---	
		---	---	---	---	
		---	---	---	---	
		---	---	---	---	
		---	---	---	---	

CODICI ARTICOLO ITEM NUMBER NUMÉRO D'ARTICLE ARTIKELNUMMER	DESCRIZIONE DESCRIPTION BESCHREIBUNG					
3401-A... 3401-R...	Terminale parapigioggia Rain cowl Chapeau chinois Regen Abschlusselement					
FOTO PICTURE -PHOTO-BILD	DISEGNO DRAWING- DESSIN- ZEICHNUNG	\varnothing_i	\varnothing_e	L		
		80	100	170		
		100	120	180		
		---	---	---		
		---	---	---		
		---	---	---		
		---	---	---		
		---	---	---		
		---	---	---		
		---	---	---		
		---	---	---		
		---	---	---		
		---	---	---		

CODICI ARTICOLO ITEM NUMBER NUMÉRO D'ARTICLE ARTIKELNUMMER	DESCRIZIONE DESCRIPTION BESCHREIBUNG					
3403-A... 3403-R...	Terminale conico Tapered cowl Chapeau conique Konisches Abschlusselement					
FOTO PICTURE -PHOTO-BILD	DISEGNO DRAWING- DESSIN- ZEICHNUNG	\varnothing_i	\varnothing_e	H		
		80	100	120		
		100	120	120		
		---	---	---		
		---	---	---		
		---	---	---		
		---	---	---		
		---	---	---		
		---	---	---		
		---	---	---		
		---	---	---		
		---	---	---		
		---	---	---		