



Leghe speciali  
Camini inox ad alta efficienza

CATALOGO TECNICO 2024  
Vers. CT\_PELLET1.2\_01-2024  
(01.02.2024)

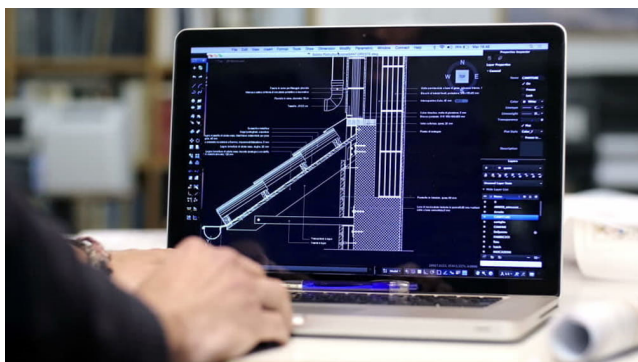
## CATALOGO TECNICO 2024

TECHNICAL CATALOGUE  
CATALOGUE TECHNIQUE  
TECHNISCHER KATALOG | 2024

### Sistema PELLET 1,2mm

Canali da fumo in ferro verniciato nero sp.1,2 mm per apparecchi a pellet

Pellet 1,2 - Connecting flue pipes in black painted mild steel 1,2 mm thick for pellet appliances  
Pellet 1,2 - Tuyaux de raccordement en acier peint noir épaisseur 1,2 mm pour les appareils à granulés  
Pellet 1,2 - Rauchkanäle aus schwarz lackiertem Eisen mit einer Dicke von 1,2 mm für Pelletgeräte



Edizione 2024

Edition  
Édition | 2024  
Ausgabe

## Pellet 1,2

### Canali da fumo in ferro verniciato nero sp. 1,2 mm per apparecchi a pellet

Il sistema PELLET 1,2 è composto da elementi componibili rigidi con spessore 1,2 mm e finitura di colore nero lucido, con trattamento termico. I prodotti di questa serie sono realizzati in acciaio al carbonio e hanno un innesto a bicchiere maschio-femmina con sede della guarnizione a triplo labbro.

**“LE MISURE RIPORTATE NEL SEGUENTE CATALOGO TECNICO NON SONO VINCOLANTI.  
M.T. SRL PUO’ VARIARE LE MISURE DI PRODUZIONE, IN BASE ALL’OTTIMIZZAZIONE, IN QUALSIASI  
MOMENTO”.**

## Pellet 1,2

### Connecting flue pipes in black painted mild steel 1,2 mm thick for pellet appliances

The PELLET 1,2 system is made up of rigid modular elements with a thickness of 1,2 mm and a glossy black finish, with heat treatment. The products in this series are made of carbon steel and have a spigot joint by slip on male-female coupling with triple lip gasket seat.

**“THE MEASURES GIVEN IN THE FOLLOWING TECHNICAL CATALOGUE ARE NOT BINDING.  
AT ANY TIME, COMPANY M.T. SRL MAY VARY THE PRODUCTION MEASURES, BASED ON THE  
OPTIMIZATION”.**

## Pellet 1,2

### Tuyaux de raccordement en acier peint noir épaisseur 1,2 mm pour les appareils à granulés

Le système PELLET 1,2 est composé par d'éléments modulaires rigides épaisseur 1,2 mm d'une finition noir brillant, avec traitement thermique. Les produits de cette série sont fabriqués en acier au carbone et disposent d'un emboîtement étanche mâle-femelle avec un siège de joint à triple lèvre.

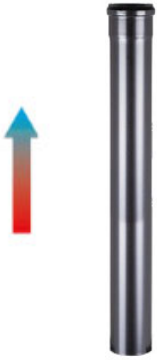
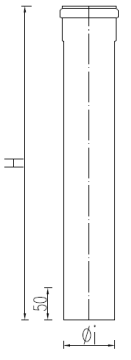
**“LES MESURES DONNÉES DANS LE CATALOGUE TECHNIQUE SUIVANT NE SONT PAS CONTRAIGNANTES.  
L’USINE M.T. SRL PEUT VARIER LES MESURES DE PRODUCTION, SUR LA BASE DE L’OPTIMISATION, À  
TOUT MOMENT”.**

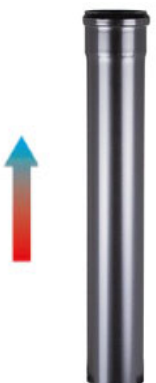
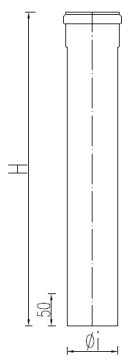
## Pellet 1,2

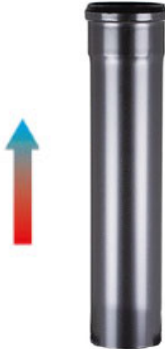
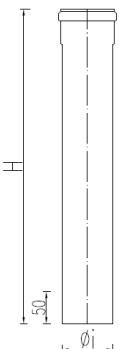
### Rauchkanäle aus schwarz lackiertem Eisen mit einer Dicke von 1,2 mm für Pelletgeräte

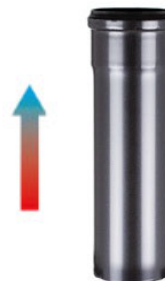
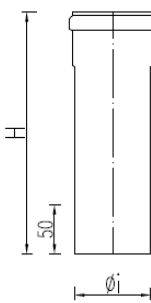
Das PELLET 1,2 System besteht aus starren Modulelementen mit einer Dicke von 1,2 mm und einer glänzend schwarzen Oberfläche mit Wärmebehandlung. Die Produkte dieser Serie bestehen aus Kohlenstoffstahl und verfügen über eine Verbindung durch Mann-Weib Steckmuffen, mit Dreilippen Dichtungssitz.


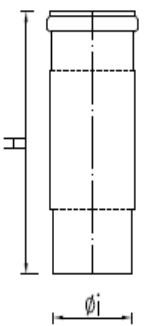
**“IM FOLGENDEN TECHNISCHEN KATALOG SIND DIE ANGEGBENEN MAßE NICHT BINDEND.  
FIRMA M.T. SRL KANN DIE PRODUKTIONSMASSNAHMEN AUFGRUND DER OPTIMIERUNG JEDERZEIT  
VARIIEREN”.**


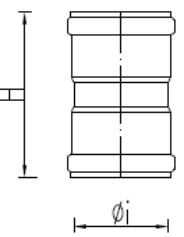
<b>CODICI ARTICOLO</b> ITEM NUMBER NUMÉRO D'ARTICLE ARTIKELNUMMER	<b>DESCRIZIONE</b> DESCRIPTION BESCHREIBUNG					
1020-N...	Elemento lineare L.2000 - Linear element L.2000 Élément droit L.2000 - Lineares Element L.2000					
<b>FOTO</b> PICTURE -PHOTO-BILD	<b>DISEGNO</b> DRAWING- DESSIN- ZEICHNUNG	Øi	H	H-50		
		80	2000	1950		
		100	2000	1950		
		---	---	---		
		---	---	---		
		---	---	---		
		---	---	---		
		---	---	---		
		---	---	---		
		---	---	---		
		---	---	---		

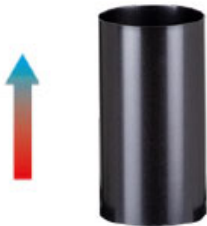
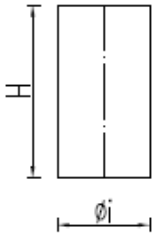
<b>CODICI ARTICOLO</b> ITEM NUMBER NUMÉRO D'ARTICLE ARTIKELNUMMER	<b>DESCRIZIONE</b> DESCRIPTION BESCHREIBUNG					
1001-N...	Elemento lineare L.1000 - Linear element L.1000 Élément droit L.1000 - Lineares Element L.1000					
<b>FOTO</b> PICTURE -PHOTO-BILD	<b>DISEGNO</b> DRAWING- DESSIN- ZEICHNUNG	Øi	H	H-50		
		80	1000	950		
		100	1000	950		
		---	---	---		
		---	---	---		
		---	---	---		
		---	---	---		
		---	---	---		
		---	---	---		
		---	---	---		
		---	---	---		


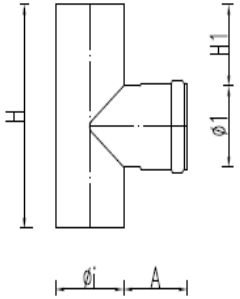
<b>CODICI ARTICOLO</b> ITEM NUMBER NUMÉRO D'ARTICLE ARTIKELNUMMER	<b>DESCRIZIONE</b> DESCRIPTION BESCHREIBUNG					
1002-N...	Elemento lineare L.500 - Linear element L.500 Élément droit L.500 - Lineares Element L.500					
<b>FOTO</b> PICTURE -PHOTO-BILD	<b>DISEGNO</b> DRAWING- DESSIN- ZEICHNUNG	Øi	H	H-50		
		80	500	450		
		100	500	450		
		---	---	---		
		---	---	---		
		---	---	---		
		---	---	---		
		---	---	---		
		---	---	---		
		---	---	---		
		---	---	---		
		---	---	---		
		---	---	---		

<b>CODICI ARTICOLO</b> ITEM NUMBER NUMÉRO D'ARTICLE ARTIKELNUMMER	<b>DESCRIZIONE</b> DESCRIPTION BESCHREIBUNG					
1003-N...	Elemento lineare L.250 - Linear element L.250 Élément droit L.250 - Lineares Element L.250					
<b>FOTO</b> PICTURE -PHOTO-BILD	<b>DISEGNO</b> DRAWING- DESSIN- ZEICHNUNG	Øi	H	H-50		
		80	250	200		
		100	250	200		
		---	---	---		
		---	---	---		
		---	---	---		
		---	---	---		
		---	---	---		
		---	---	---		
		---	---	---		
		---	---	---		
		---	---	---		
		---	---	---		
		---	---	---		


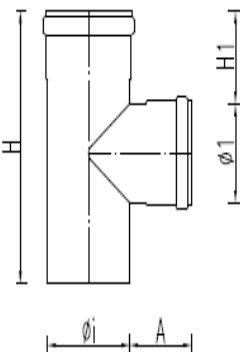
<b>CODICI ARTICOLO</b> ITEM NUMBER NUMÉRO D'ARTICLE ARTIKELNUMMER	<b>DESCRIZIONE</b> DESCRIPTION BESCHREIBUNG					
1007-N...	Elemento telescopico (elemento singolo) Telescopic element (single element) Élément télescopique (suel élément) Teleskopisches Element (einzelnes)					
<b>FOTO</b> PICTURE -PHOTO-BILD	<b>DISEGNO</b> DRAWING- DESSIN- ZEICHNUNG	$\varnothing i$	H			
		80	245			
		100	245			
		---	---			
		---	---			
		---	---			
		---	---			
		---	---			
		---	---			
		---	---			
		---	---			
		---	---			
		---	---			


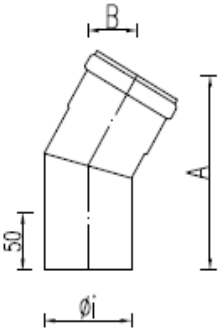
<b>CODICI ARTICOLO</b> ITEM NUMBER NUMÉRO D'ARTICLE ARTIKELNUMMER	<b>DESCRIZIONE</b> DESCRIPTION BESCHREIBUNG					
1014-N...	Elemento doppio bicchiere femmina - Double female muff Manchon double femelle - Muff Weib-Weib					
<b>FOTO</b> PICTURE -PHOTO-BILD	<b>DISEGNO</b> DRAWING- DESSIN- ZEICHNUNG	$\varnothing i$	H			
		80	140			
		100	140			
		---	---			
		---	---			
		---	---			
		---	---			
		---	---			
		---	---			
		---	---			
		---	---			
		---	---			
		---	---			

<b>CODICI ARTICOLO</b> ITEM NUMBER NUMÉRO D'ARTICLE ARTIKELNUMMER	<b>DESCRIZIONE</b> DESCRIPTION BESCHREIBUNG					
1005-N...	Elemento doppio maschio - Double male muff Manchon double mâle - Muff Mann-Mann					
<b>FOTO</b> PICTURE -PHOTO-BILD	<b>DISEGNO</b> DRAWING- DESSIN- ZEICHNUNG	$\varnothing_i$	H			
		80	150			
		100	150			
		---	---			
		---	---			
		---	---			
		---	---			
		---	---			
		---	---			
		---	---			
		---	---			
		---	---			
		---	---			


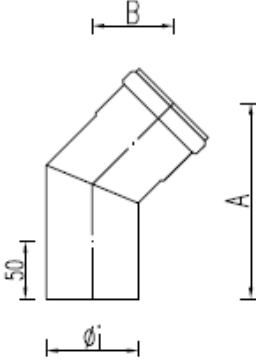
<b>CODICI ARTICOLO</b> ITEM NUMBER NUMÉRO D'ARTICLE ARTIKELNUMMER	<b>DESCRIZIONE</b> DESCRIPTION BESCHREIBUNG					
1651-N...	Raccordo a T 90° con tappo di chiuso MMF 90° Tee pipe fitting with closed cap MMF Raccord Té 90° avec tampon de fermeture MMF T-Anschluss 90° mit Schließkappe MMW					
<b>FOTO</b> PICTURE -PHOTO-BILD	<b>DISEGNO</b> DRAWING- DESSIN- ZEICHNUNG	$\varnothing_i$	H	$\varnothing_1$	H1	A
		80	220	80	80	75
		100	220	100	70	70
		---	---	---	---	---
		---	---	---	---	---
		---	---	---	---	---
		---	---	---	---	---
		---	---	---	---	---
		---	---	---	---	---
		---	---	---	---	---
		---	---	---	---	---
		---	---	---	---	---
		---	---	---	---	---


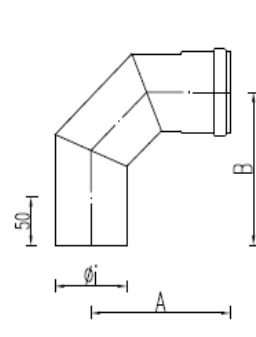



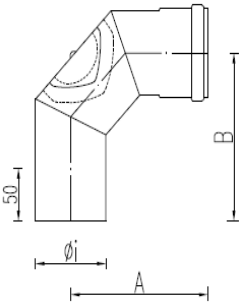
<b>CODICI ARTICOLO</b> ITEM NUMBER NUMÉRO D'ARTICLE ARTIKELNUMMER	<b>DESCRIZIONE</b> DESCRIPTION BESCHREIBUNG					
1652F-N...	Raccordo a T 90° Ø100 ridotto Ø80 F 90° Tee pipe fitting Ø100 reduced Ø80 female Raccord Té 90° Ø100 réduit Ø80 femelle T-Anschluss 90 Ø100 reduziert Ø80 Weib					
<b>FOTO</b> PICTURE -PHOTO-BILD	<b>DISEGNO</b> DRAWING- DESSIN- ZEICHNUNG	Øi	H	Ø1	H1	A
		---	----	---	---	---
		100	220	80	75	75
		---	---	---	---	---
		---	---	---	---	---
		---	---	---	---	---
		---	---	---	---	---
		---	---	---	---	---
		---	---	---	---	---
		---	---	---	---	---
		---	---	---	---	---
		---	---	---	---	---
		---	---	---	---	---
		---	---	---	---	---


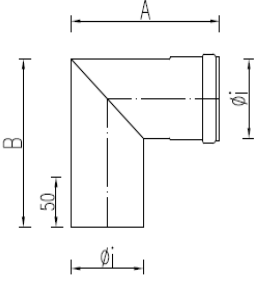
<b>CODICI ARTICOLO</b> ITEM NUMBER NUMÉRO D'ARTICLE ARTIKELNUMMER	<b>DESCRIZIONE</b> DESCRIPTION BESCHREIBUNG					
1252-N...	Curva 30° - 30° Bend Coude 30° - Winkelbogen 30°					
<b>FOTO</b> PICTURE -PHOTO-BILD	<b>DISEGNO</b> DRAWING- DESSIN- ZEICHNUNG	Øi	A	B		
		80	169	45		
		100	169	45		
		---	---	---		
		---	---	---		
		---	---	---		
		---	---	---		
		---	---	---		
		---	---	---		
		---	---	---		
		---	---	---		
		---	---	---		
		---	---	---		
		---	---	---		


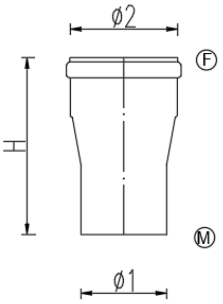



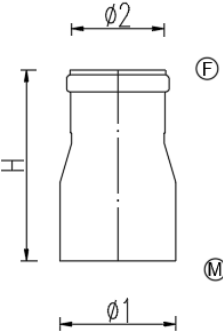
<b>CODICI ARTICOLO</b> ITEM NUMBER NUMÉRO D'ARTICLE ARTIKELNUMMER	<b>DESCRIZIONE</b> DESCRIPTION BESCHREIBUNG					
1253-N...	Curva 45° - 45° Bend Coude 45° - Winkelbogen 45°					
<b>FOTO</b> PICTURE -PHOTO-BILD	<b>DISEGNO</b> DRAWING- DESSIN- ZEICHNUNG	Øi	A	B		
		80	171	71		
		100	171	71		
		---	---	---		
		---	---	---		
		---	---	---		
		---	---	---		
		---	---	---		
		---	---	---		
		---	---	---		
		---	---	---		
		---	---	---		
		---	---	---		


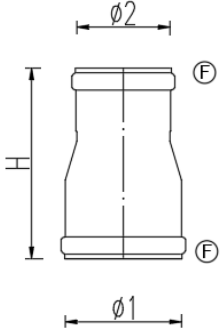
<b>CODICI ARTICOLO</b> ITEM NUMBER NUMÉRO D'ARTICLE ARTIKELNUMMER	<b>DESCRIZIONE</b> DESCRIPTION BESCHREIBUNG					
1254-N...	Curva 90° - 90° Bend Coude 90° - Winkelbogen 90°					
<b>FOTO</b> PICTURE -PHOTO-BILD	<b>DISEGNO</b> DRAWING- DESSIN- ZEICHNUNG	Øi	A	B		
		80	159	156		
		100	167	164		
		---	---	---		
		---	---	---		
		---	---	---		
		---	---	---		
		---	---	---		
		---	---	---		
		---	---	---		
		---	---	---		
		---	---	---		
		---	---	---		


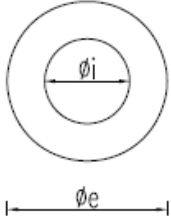
<b>CODICI ARTICOLO</b> ITEM NUMBER NUMÉRO D'ARTICLE ARTIKELNUMMER	<b>DESCRIZIONE</b> DESCRIPTION BESCHREIBUNG					
1265-N...	Curva 90° con ispezione - 90° Bend with inspection Coude 90° avec trappe de visite - Winkelbogen 90° mit Inspektionskappe					
<b>FOTO</b> PICTURE -PHOTO-BILD	<b>DISEGNO</b> DRAWING- DESSIN- ZEICHNUNG	Øi	A	B		
		80	159	156		
		100	167	164		
		---	---	---		
		---	---	---		
		---	---	---		
		---	---	---		
		---	---	---		
		---	---	---		
		---	---	---		
		---	---	---		
		---	---	---		
		---	---	---		


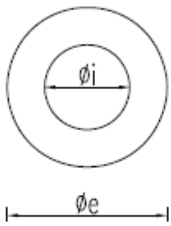
<b>CODICI ARTICOLO</b> ITEM NUMBER NUMÉRO D'ARTICLE ARTIKELNUMMER	<b>DESCRIZIONE</b> DESCRIPTION BESCHREIBUNG					
1254S-N...	Curva 90° due settori 90° Two sectors bend Coude 90° deux secteurs Winkelbogen 90° zwei Sektoren					
<b>FOTO</b> PICTURE -PHOTO-BILD	<b>DISEGNO</b> DRAWING- DESSIN- ZEICHNUNG	Øi	A	B		
		80	165	170		
		100	190	190		
		---	---	---		
		---	---	---		
		---	---	---		
		---	---	---		
		---	---	---		
		---	---	---		
		---	---	---		
		---	---	---		
		---	---	---		
		---	---	---		


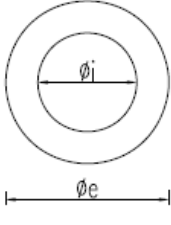
<b>CODICI ARTICOLO</b> ITEM NUMBER NUMÉRO D'ARTICLE ARTIKELNUMMER	<b>DESCRIZIONE</b> DESCRIPTION BESCHREIBUNG					
1255-N...K	Riduzione-Aumento Ø100F-Ø80M Reducer-Enlarger Ø100F-Ø80M Réduction-Augmentation Ø100F-Ø80M Reduzierung-Erhöhung Ø100W-Ø80M					
<b>FOTO</b> PICTURE -PHOTO-BILD	<b>DISEGNO</b> DRAWING- DESSIN- ZEICHNUNG	Ø1	Ø2	H		
		80M	100F	165		
		---	---	---		
		---	---	---		
		---	---	---		
		---	---	---		
		---	---	---		
		---	---	---		
		---	---	---		
		---	---	---		
		---	---	---		
		---	---	---		
		---	---	---		


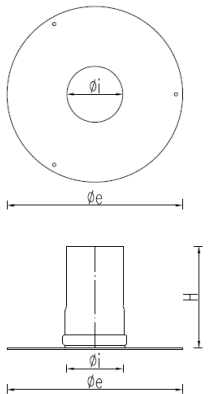
<b>CODICI ARTICOLO</b> ITEM NUMBER NUMÉRO D'ARTICLE ARTIKELNUMMER	<b>DESCRIZIONE</b> DESCRIPTION BESCHREIBUNG					
1255-N...Y	Riduzione-Aumento Ø100M-Ø80F Reducer-Enlarger Ø100M-Ø80F Réduction-Augmentation Ø100M-Ø80F Reduzierung-Erhöhung Ø100M-Ø80W					
<b>FOTO</b> PICTURE -PHOTO-BILD	<b>DISEGNO</b> DRAWING- DESSIN- ZEICHNUNG	Ø1	Ø2	H		
		100M	80F	165		
		---	---	---		
		---	---	---		
		---	---	---		
		---	---	---		
		---	---	---		
		---	---	---		
		---	---	---		
		---	---	---		
		---	---	---		
		---	---	---		
		---	---	---		


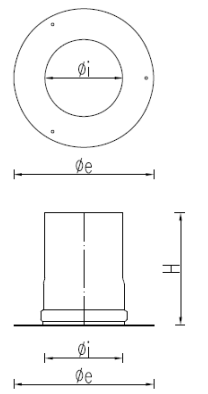
<b>CODICI ARTICOLO</b> ITEM NUMBER NUMÉRO D'ARTICLE ARTIKELNUMMER	<b>DESCRIZIONE</b> DESCRIPTION BESCHREIBUNG					
1255-N...X	Riduzione-Aumento Ø100F-Ø80F Reducer-Enlarger Ø100F-Ø80F Réduction-Augmentation Ø100F-Ø80F Reduzierung-Erhöhung Ø100W-Ø80W					
<b>FOTO</b> PICTURE -PHOTO-BILD	<b>DISEGNO</b> DRAWING- DESSIN- ZEICHNUNG	Ø1	Ø2	H		
		100F	80F	165		
		---	---	---		
		---	---	---		
		---	---	---		
		---	---	---		
		---	---	---		
		---	---	---		
		---	---	---		
		---	---	---		
		---	---	---		
		---	---	---		
		---	---	---		
		---	---	---		
		---	---	---		
		---	---	---		
		---	---	---		
		---	---	---		


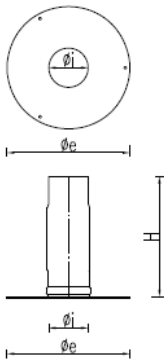
<b>CODICI ARTICOLO</b> ITEM NUMBER NUMÉRO D'ARTICLE ARTIKELNUMMER	<b>DESCRIZIONE</b> DESCRIPTION BESCHREIBUNG					
1412-N...	Rosone copriforo liscio con 3 fori - Covering smooth ring with 3 holes Rosace couvrante lisse à 3 trous - Glatter Abdeckring mit 3 Löchern					
<b>FOTO</b> PICTURE -PHOTO-BILD	<b>DISEGNO</b> DRAWING- DESSIN- ZEICHNUNG	Øi	Øe			
		80	200			
		100	220			
		---	---			
		---	---			
		---	---			
		---	---			
		---	---			
		---	---			
		---	---			
		---	---			
		---	---			
		---	---			
		---	---			
		---	---			
		---	---			
		---	---			
		---	---			
		---	---			


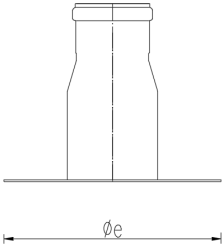
<b>CODICI ARTICOLO</b> ITEM NUMBER NUMÉRO D'ARTICLE ARTIKELNUMMER	<b>DESCRIZIONE</b> DESCRIPTION BESCHREIBUNG					
1411-N...	Rosone semplice - Simple ring Rosace simple - Flache Ring					
<b>FOTO</b> PICTURE -PHOTO-BILD	<b>DISEGNO</b> DRAWING- DESSIN- ZEICHNUNG	$\varnothing_i$	$\varnothing_e$			
		80	150			
		100	180			
		---	---			
		---	---			
		---	---			
		---	---			
		---	---			
		---	---			
		---	---			
		---	---			
		---	---			
		---	---			


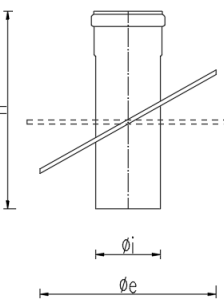
<b>CODICI ARTICOLO</b> ITEM NUMBER NUMÉRO D'ARTICLE ARTIKELNUMMER	<b>DESCRIZIONE</b> DESCRIPTION BESCHREIBUNG					
1414-N...	Rosone in silicone - Silicone ring Rosace en silicone - Ring aus Silikon					
<b>FOTO</b> PICTURE -PHOTO-BILD	<b>DISEGNO</b> DRAWING- DESSIN- ZEICHNUNG	$\varnothing_i$	$\varnothing_e$			
		80	140			
		100	160			
		---	---			
		---	---			
		---	---			
		---	---			
		---	---			
		---	---			
		---	---			
		---	---			
		---	---			
		---	---			


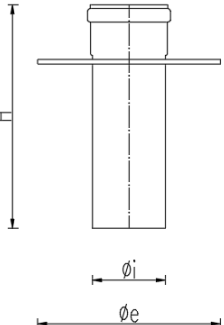
<b>CODICI ARTICOLO</b> ITEM NUMBER NUMÉRO D'ARTICLE ARTIKELNUMMER	<b>DESCRIZIONE</b> DESCRIPTION BESCHREIBUNG					
1416-N...	Passaggio a muro "unico" Ø250 (in battuta) Wall fitting "unico" Ø250 (flush) Passage à mur "unico" Ø250 (à l'arrêt) Wand-Passage "unico" Ø250 (gestoppt)					
<b>FOTO</b> PICTURE -PHOTO-BILD	<b>DISEGNO</b> DRAWING- DESSIN- ZEICHNUNG	Øi	Øe	H		
		80	250	145		
		100	250	145		
		---	---	---		
		---	---	---		
		---	---	---		
		---	---	---		
		---	---	---		
		---	---	---		
		---	---	---		
		---	---	---		
		---	---	---		
		---	---	---		

<b>CODICI ARTICOLO</b> ITEM NUMBER NUMÉRO D'ARTICLE ARTIKELNUMMER	<b>DESCRIZIONE</b> DESCRIPTION BESCHREIBUNG					
1415-N...	Passaggio a muro "unico" Ø180 (in battuta) Wall fitting "unico" Ø180 (flush) Passage à mur "unico" Ø180 (à l'arrêt) Wand-Passage "unico" Ø180(gestoppt)					
<b>FOTO</b> PICTURE -PHOTO-BILD	<b>DISEGNO</b> DRAWING- DESSIN- ZEICHNUNG	Øi	Øe	H		
		80	180	145		
		100	180	145		
		---	---	---		
		---	---	---		
		---	---	---		
		---	---	---		
		---	---	---		
		---	---	---		
		---	---	---		
		---	---	---		
		---	---	---		
		---	---	---		
		---	---	---		


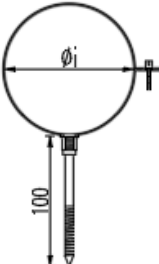
<b>CODICI ARTICOLO</b> ITEM NUMBER NUMÉRO D'ARTICLE ARTIKELNUMMER	<b>DESCRIZIONE</b> DESCRIPTION BESCHREIBUNG					
1410-N...	Passaggio a muro "unico" Ø250 (passante) Wall fitting "unico" Ø250 (passing) Passage à mur "unico" Ø250 (passant) Durch Wand-Ring "unico" Ø250					
<b>FOTO</b> PICTURE -PHOTO-BILD	<b>DISEGNO</b> DRAWING- DESSIN- ZEICHNUNG	Øi	Øe	H		
		80	180	245		
		100	180	245		
		---	---	---		
		---	---	---		
		---	---	---		
		---	---	---		
		---	---	---		
		---	---	---		
		---	---	---		
		---	---	---		
		---	---	---		
		---	---	---		
		---	---	---		



<b>CODICI ARTICOLO</b> ITEM NUMBER NUMÉRO D'ARTICLE ARTIKELNUMMER	<b>DESCRIZIONE</b> DESCRIPTION BESCHREIBUNG					
1417-E...	Rosone a muro "unico telescopico" Wall ring "telescopic unico" Rosace à mur "unico télescopique" Wand Ring "unico teleskopisc"					
<b>FOTO</b> PICTURE -PHOTO-BILD	<b>DISEGNO</b> DRAWING- DESSIN- ZEICHNUNG	Øi	Øe			
		80	240			
		100	240			
		---	---			
		---	---			
		---	---			
		---	---			
		---	---			
		---	---			
		---	---			
		---	---			
		---	---			
		---	---			
		---	---			
		---	---			


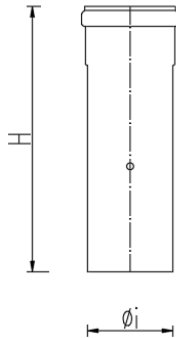
<b>CODICI ARTICOLO</b> ITEM NUMBER NUMÉRO D'ARTICLE ARTIKELNUMMER	<b>DESCRIZIONE</b> DESCRIPTION BESCHREIBUNG					
1418-N...	Rosone a muro flottante Floating wall ring Rosace à mur flottante Schwimmende Wandrosette					
<b>FOTO</b> PICTURE -PHOTO-BILD	<b>DISEGNO</b> DRAWING- DESSIN- ZEICHNUNG	$\varnothing_i$	$\varnothing_e$	H		
		80	250	245		
		100	250	245		
		---	---	---		
		---	---	---		
		---	---	---		
		---	---	---		
		---	---	---		
		---	---	---		
		---	---	---		
		---	---	---		
		---	---	---		
		---	---	---		
		---	---	---		
		---	---	---		


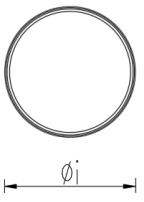
<b>CODICI ARTICOLO</b> ITEM NUMBER NUMÉRO D'ARTICLE ARTIKELNUMMER	<b>DESCRIZIONE</b> DESCRIPTION BESCHREIBUNG					
1419-N...	Rosone a muro maschio-femmina Wall pipe-fitting with ring Raccord à paroi avec rosace Wandanschluss mit Rosette					
<b>FOTO</b> PICTURE -PHOTO-BILD	<b>DISEGNO</b> DRAWING- DESSIN- ZEICHNUNG	$\varnothing_i$	$\varnothing_e$	H		
		80	200	245		
		100	200	245		
		---	---	---		
		---	---	---		
		---	---	---		
		---	---	---		
		---	---	---		
		---	---	---		
		---	---	---		
		---	---	---		
		---	---	---		
		---	---	---		
		---	---	---		
		---	---	---		



<b>CODICI ARTICOLO</b> ITEM NUMBER NUMÉRO D'ARTICLE ARTIKELNUMMER	<b>DESCRIZIONE</b> DESCRIPTION BESCHREIBUNG					
1357-N...	Collare di fissaggio con tassello - Locking clamp with anchor Collier de fixation avec cheville - Befestigungskragen mit Dübel					
<b>FOTO</b> PICTURE -PHOTO-BILD	<b>DISEGNO</b> DRAWING- DESSIN- ZEICHNUNG	$\varnothing i$				
		80				
		100				
		---				
		---				
		---				
		---				
		---				
		---				
		---				
		---				
		---				

<b>CODICI ARTICOLO</b> ITEM NUMBER NUMÉRO D'ARTICLE ARTIKELNUMMER	<b>DESCRIZIONE</b> DESCRIPTION BESCHREIBUNG					
1351-N...	Staffa a muro regolabile - Adjustable wall band Bride murale réglable - Einstellbare Wandhalter					
<b>FOTO</b> PICTURE -PHOTO-BILD	<b>DISEGNO</b> DRAWING- DESSIN- ZEICHNUNG	$\varnothing i$				
		80				
		100				
		---				
		---				
		---				
		---				
		---				
		---				
		---				
		---				
		---				
		---				

<b>CODICI ARTICOLO</b> ITEM NUMBER NUMÉRO D'ARTICLE ARTIKELNUMMER	<b>DESCRIZIONE</b> DESCRIPTION BESCHREIBUNG					
1162-N...	Elemento di controllo fumi semplice Simple smoke test element Élément de contrôle fumées simple Einfaches Rauchschutzelement					
<b>FOTO</b> PICTURE -PHOTO-BILD	<b>DISEGNO</b> DRAWING- DESSIN- ZEICHNUNG	$\varnothing_i$	H			
		80	250			
		100	250			
		---	---			
		---	---			
		---	---			
		---	---			
		---	---			
		---	---			
		---	---			
		---	---			
		---	---			
		---	---			
		---	---			

<b>CODICI ARTICOLO</b> ITEM NUMBER NUMÉRO D'ARTICLE ARTIKELNUMMER	<b>DESCRIZIONE</b> DESCRIPTION BESCHREIBUNG					
1354-N...	Guarnizione in silicone - Silicone Gasket Joint en silicone - Dichtung aus Silikon					
<b>FOTO</b> PICTURE -PHOTO-BILD	<b>DISEGNO</b> DRAWING- DESSIN- ZEICHNUNG	$\varnothing_i$				
		80				
		100				
		---				
		---				
		---				
		---				
		---				
		---				
		---				
		---				
		---				
		---				
		---				