

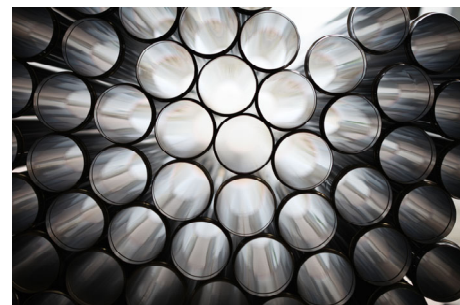
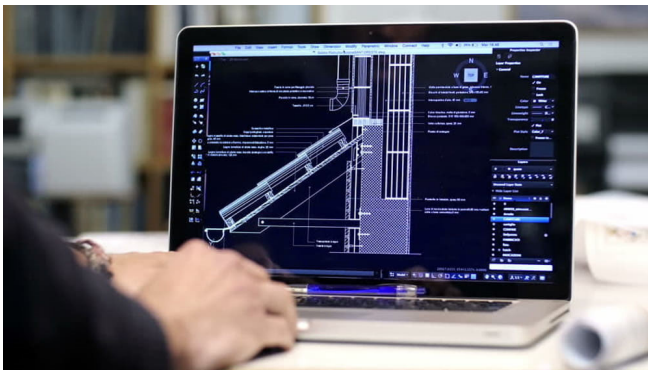
CATALOGO TECNICO 2024

TECHNICAL CATALOGUE
CATALOGUE TECHNIQUE
TECHNISCHER KATALOG

2024

Sistema DOUBLE 10 - Doppia parete Inox e Ral nero

Chimney system DOUBLE 10 - Insulated twin wall in stainless steel or Ral black paint
Conduit de cheminée DOUBLE 10 - Double paroi isolée inox ou couleur Ral noir
System DOUBLE 10 - Isolierte Doppelwand aus Edelstahl oder schwarzem RAL Farbe



Edizione 2024

Edition
Édition
Ausgabe

2024

Sistema DOUBLE 10 - Doppia parete coibentata Inox o Ral nero

Gli elementi interni hanno Il sistema doppia parete DOUBLE 10 è composto da elementi componibili rigidi. La parete interna è in acciaio inox 316L spessore 0,5 mentre per la parete esterna sono disponibili due differenti finiture: inox 304 lucido oppure inox 304 verniciato al silicone con colore nero Ral 9005. La coibentazione è realizzata in lana minerale ad alta densità, di spessore 10 mm. Gli elementi interni hanno innesto a bicchiere maschio-femmina con sede della guarnizione a triplo labbro. L'incastro della parete esterna è a tenuta meccanica, tramite l'utilizzo della fascetta di giunzione.

**“LE MISURE RIPORTATE NEL SEGUENTE CATALOGO TECNICO NON SONO VINCOLANTI.
M.T. SRL PUO' VARIARE LE MISURE DI PRODUZIONE, IN BASE ALL'OTTIMIZZAZIONE, IN QUALSIASI
MOMENTO”.**

Chimney system DOUBLE 10 Insulated twin wall in stainless steel or Ral black paint

The DOUBLE 10 twin wall system is made up of rigid modular elements. The internal wall is in stainless steel 316L thickness 0,5 mm, while two different finishes are available for the external wall: polished stainless steel 304 or silicone painted stainless steel 304 with black Ral 9005 colour. The insulation is made of high-density mineral wool, 10 mm thick. Internal elements have a spigot joint by slip on male-female coupling with triple lip gasket seat. The joint of the external wall is mechanically sealed, through the use of the locking band.

**“THE MEASURES GIVEN IN THE FOLLOWING TECHNICAL CATALOGUE ARE NOT BINDING.
AT ANY TIME, COMPANY M.T. SRL MAY VARY THE PRODUCTION MEASURES, BASED ON THE
OPTIMIZATION”.**

Conduit de cheminée DOUBLE 10 Double paroi isolée inox ou couleur Ral noir

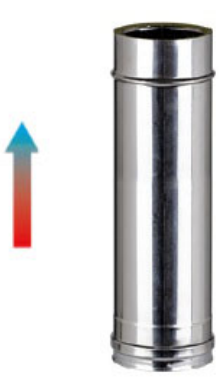
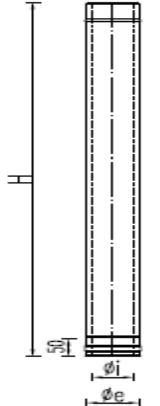
Le système double paroi DOUBLE 10 est composé par d'éléments modulaires rigides. La paroi interne est en acier inox 316L épaisseur 0,5, tandis que deux finitions différentes sont disponibles pour la paroi externe : acier inox 304 poli ou acier inox 304 peint au silicone de couleur noire Ral 9005. L'isolant est en laine minérale haute densité de 10 mm d'épaisseur. Les éléments internes ont un emboîtement étanche mâle-femelle avec un siège de joint à triple lèvre. Le joint de la paroi extérieure est par garniture mécanique, grâce à l'utilisation de la bride de sécurité.


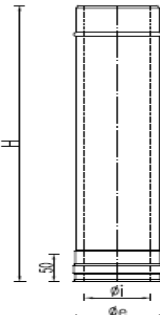
**“LES MESURES DONNÉES DANS LE CATALOGUE TECHNIQUE SUIVANT NE SONT PAS CONTRAIGNANTES.
L'USINE M.T. SRL PEUT VARIER LES MESURES DE PRODUCTION, SUR LA BASE DE L'OPTIMISATION, À
TOUT MOMENT”.**

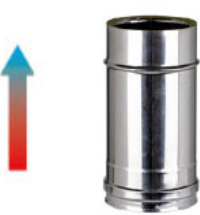
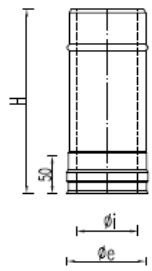
System DOUBLE 10 Isolierte Doppelwand aus Edelstahl oder schwarzem RAL Farbe


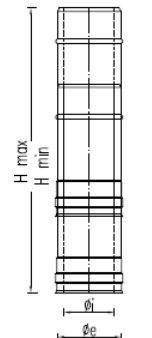
Das Doppelwandsystem DOUBLE 10 besteht aus starren Modulelementen. Die Innenwand besteht aus Edelstahl 316L Dicke 0,5 mm, während für die Außenwand zwei verschiedene Ausführungen erhältlich sind: polierter Edelstahl 304 oder silikonbeschichteter Edelstahl 304 mit schwarzer RAL 9005 Farbe. Die Isolierung besteht aus hochdichter Mineralwolle mit einer Dicke von 10 mm. Interne Elemente verfügen über eine Verbindung durch Mann-Weib Steckmuffen, mit Dreilippen-Dichtungssitz. Durch den Einsatz des Blockierungsbandes wird die Verbindung der Außenwand mechanisch abgedichtet.

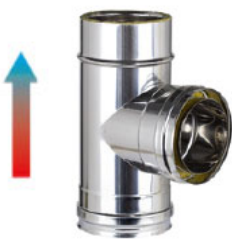
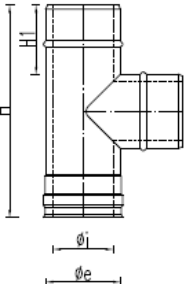
**“IM FOLGENDEN TECHNISCHEN KATALOG SIND DIE ANGEGEBENEN MAßE NICHT BINDEND.
FIRMA M.T. SRL KANN DIE PRODUKTIONSMASSNAHMEN AUFGRUND DER OPTIMIERUNG JEDERZEIT
VARIIEREN”.**


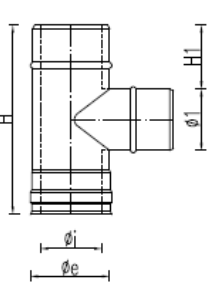
CODICI ARTICOLO ITEM NUMBER NUMÉRO D'ARTICLE ARTIKELNUMMER	DESCRIZIONE DESCRIPTION BESCHREIBUNG									
3001-A... 3001-Z...	Elemento lineare L.1000 - Linear element L.1000 Élément droit L.1000 - Lineares Element L.1000									
FOTO PICTURE -PHOTO-BILD	DISEGNO DRAWING- DESSIN- ZEICHNUNG	\varnothing_i	\varnothing_e	H	H-50					
		80	100	1000	950					
		100	120	1000	950					
		---	---	---	---					
		---	---	---	---					
		---	---	---	---					
		---	---	---	---					
		---	---	---	---					
		---	---	---	---					
		---	---	---	---					
		---	---	---	---					


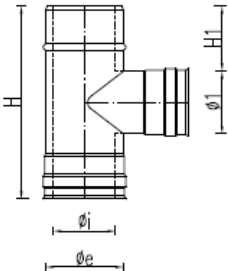
CODICI ARTICOLO ITEM NUMBER NUMÉRO D'ARTICLE ARTIKELNUMMER	DESCRIZIONE DESCRIPTION BESCHREIBUNG									
3002-A... 3002-Z...	Elemento lineare L.500 - Linear element L.500 Élément droit L.500 - Lineares Element L.500									
FOTO PICTURE -PHOTO-BILD	DISEGNO DRAWING- DESSIN- ZEICHNUNG	\varnothing_i	\varnothing_e	H	H-50					
		80	100	500	450					
		100	120	500	450					
		---	---	---	---					
		---	---	---	---					
		---	---	---	---					
		---	---	---	---					
		---	---	---	---					
		---	---	---	---					


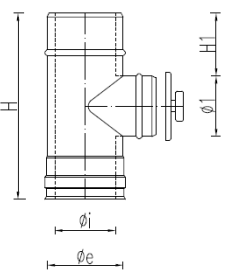
CODICI ARTICOLO ITEM NUMBER NUMÉRO D'ARTICLE ARTIKELNUMMER	DESCRIZIONE DESCRIPTION BESCHREIBUNG									
3003-A... 3003-Z...	Elemento lineare L.250 - Linear element L.250 Élément droit L.250 - Lineares Element L.250									
FOTO PICTURE -PHOTO-BILD	DISEGNO DRAWING- DESSIN- ZEICHNUNG	\varnothing_i	\varnothing_e	H	H-50					
		80	100	250	200					
		100	120	250	200					
		---	---	---	---					
		---	---	---	---					
		---	---	---	---					
		---	---	---	---					
		---	---	---	---					
		---	---	---	---					
		---	---	---	---					


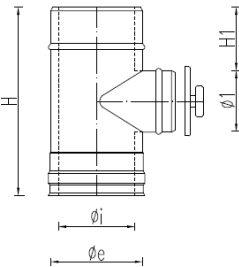
CODICI ARTICOLO ITEM NUMBER NUMÉRO D'ARTICLE ARTIKELNUMMER	DESCRIZIONE DESCRIPTION BESCHREIBUNG									
3006-A... 3006-Z...	Elemento telescopico (Min. 335mm - Max. 580mm) Telescopic element Élément télescopique Teleskopisches Element									
FOTO PICTURE -PHOTO-BILD	DISEGNO DRAWING- DESSIN- ZEICHNUNG	\varnothing_i	\varnothing_e	Hmax	Hmin					
		80	100	335	580					
		100	120	335	580					
		---	---	---	---					
		---	---	---	---					
		---	---	---	---					
		---	---	---	---					
		---	---	---	---					
		---	---	---	---					
		---	---	---	---					


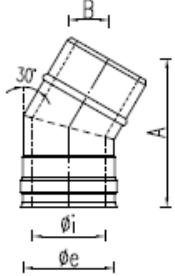
CODICI ARTICOLO ITEM NUMBER NUMÉRO D'ARTICLE ARTIKELNUMMER	DESCRIZIONE DESCRIPTION BESCHREIBUNG									
3051-A... 3051-Z...	Raccordo a T 90° 90° Tee pipe fitting Raccord Té 90° T-Anschluss 90°									
FOTO PICTURE -PHOTO-BILD	DISEGNO DRAWING- DESSIN- ZEICHNUNG	\varnothing_i	\varnothing_e	H	H1					
		80	100	290	95					
		100	120	290	85					
		---	---	---	---					
		---	---	---	---					
		---	---	---	---					
		---	---	---	---					
		---	---	---	---					
		---	---	---	---					
		---	---	---	---					


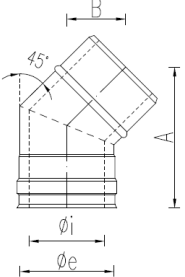
CODICI ARTICOLO ITEM NUMBER NUMÉRO D'ARTICLE ARTIKELNUMMER	DESCRIZIONE DESCRIPTION BESCHREIBUNG									
3052-A... 3052-Z...	Raccordo a T 90° ridotto Ø80 MP Maschio 90° Tee pipe fitting reduced Ø80 SW Male Raccord Té 90° réduit Ø80 SP Mâle T-Anschluss 90° reduziert Ø80 EW Männlich									
FOTO PICTURE -PHOTO-BILD	DISEGNO DRAWING- DESSIN- ZEICHNUNG	\varnothing_i	\varnothing_e	H	\varnothing_1	H1				
		80	100	250	80	85				
		100	120	250	80	85				
		---	---	---	---	---				
		---	---	---	---	---				
		---	---	---	---	---				
		---	---	---	---	---				
		---	---	---	---	---				
		---	---	---	---	---				
		---	---	---	---	---				


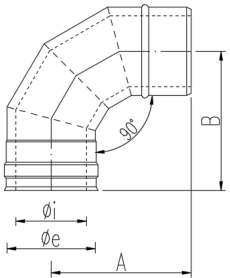
CODICI ARTICOLO ITEM NUMBER NUMÉRO D'ARTICLE ARTIKELNUMMER	DESCRIZIONE DESCRIPTION BESCHREIBUNG									
3052F-A... 3052F-Z...	Raccordo a T 90° ridotto Ø80 MP Femmina 90° Tee pipe fitting reduced Ø80 SW Female Raccord Té 90° réduit Ø80 SP Femelle T-Anschluss 90° reduziert Ø80 EW Weiblich									
FOTO PICTURE -PHOTO-BILD	DISEGNO DRAWING- DESSIN- ZEICHNUNG	\varnothing_i	\varnothing_e	H	\varnothing_1	H1				
		80	100	250	80	85				
		100	120	250	80	85				
		---	---	---	---	---				
		---	---	---	---	---				
		---	---	---	---	---				
		---	---	---	---	---				
		---	---	---	---	---				
		---	---	---	---	---				
		---	---	---	---	---				


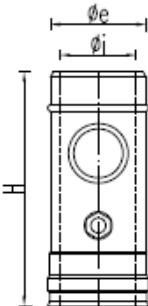
CODICI ARTICOLO ITEM NUMBER NUMÉRO D'ARTICLE ARTIKELNUMMER	DESCRIZIONE DESCRIPTION BESCHREIBUNG									
3058-A... 3058-Z...	Elemento di ispezione con tappo (200° C) Inspection element with plug (200° C) Élément d'inspection avec tampon (200° C) Inspektionselement mit Kappe (200° C)									
FOTO PICTURE -PHOTO-BILD	DISEGNO DRAWING- DESSIN- ZEICHNUNG	\varnothing_i	\varnothing_e	H	\varnothing_1	H1				
		80	100	250	80	85				
		100	120	250	80	85				
		---	---	---	---	---				
		---	---	---	---	---				
		---	---	---	---	---				
		---	---	---	---	---				
		---	---	---	---	---				
		---	---	---	---	---				
		---	---	---	---	---				


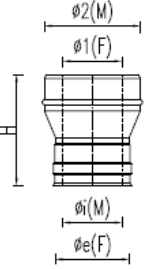
CODICI ARTICOLO ITEM NUMBER NUMÉRO D'ARTICLE ARTIKELNUMMER	DESCRIZIONE DESCRIPTION BESCHREIBUNG									
3059-A... 3059-Z...	Elemento di ispezione con tappo HT (600°C) Inspection element with HT plug (600°C) Élément d'inspection avec tampon HT (600°C) Inspektionselement mit HT Kappe (600°C)									
FOTO PICTURE -PHOTO-BILD	DISEGNO DRAWING- DESSIN- ZEICHNUNG	Øi	Øe	H	Ø1	H1				
		80	100	250	80	85				
		100	120	250	80	85				
		---	---	---	---	---				
		---	---	---	---	---				
		---	---	---	---	---				
		---	---	---	---	---				
		---	---	---	---	---				
		---	---	---	---	---				
		---	---	---	---	---				

CODICI ARTICOLO ITEM NUMBER NUMÉRO D'ARTICLE ARTIKELNUMMER	DESCRIZIONE DESCRIPTION BESCHREIBUNG									
3252-A... 3252-Z...	Curva 30° 30° Bend Coude 30° Winkelbogen 30°									
FOTO PICTURE -PHOTO-BILD	DISEGNO DRAWING- DESSIN- ZEICHNUNG	Øi	Øe	A	B					
		80	100	150	50					
		100	120	150	50					
		---	---	---	---					
		---	---	---	---					
		---	---	---	---					
		---	---	---	---					
		---	---	---	---					
		---	---	---	---					
		---	---	---	---					


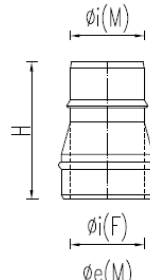
CODICI ARTICOLO ITEM NUMBER NUMÉRO D'ARTICLE ARTIKELNUMMER	DESCRIZIONE DESCRIPTION BESCHREIBUNG										
3253-A... 3253-Z...	Curva 45° 45° Bend Coude 45° Winkelbogen 45°										
FOTO PICTURE -PHOTO-BILD	DISEGNO DRAWING- DESSIN- ZEICHNUNG	Øi	Øe	A	B						
		80	100	160	60						
		100	120	160	60						
		---	---	---	---						
		---	---	---	---						
		---	---	---	---						
		---	---	---	---						
		---	---	---	---						
		---	---	---	---						
		---	---	---	---						

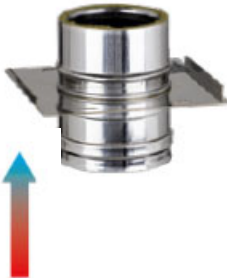
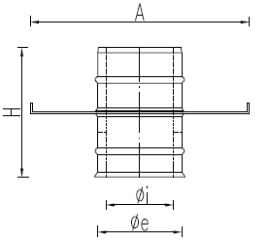
CODICI ARTICOLO ITEM NUMBER NUMÉRO D'ARTICLE ARTIKELNUMMER	DESCRIZIONE DESCRIPTION BESCHREIBUNG										
3254-A... 3254-Z...	Curva 90° 90° Bend Coude 90° Winkelbogen 90°										
FOTO PICTURE -PHOTO-BILD	DISEGNO DRAWING- DESSIN- ZEICHNUNG	Øi	Øe	A	B						
		80	100	160	160						
		100	120	175	175						
		---	---	---	---						
		---	---	---	---						
		---	---	---	---						
		---	---	---	---						
		---	---	---	---						
		---	---	---	---						
		---	---	---	---						


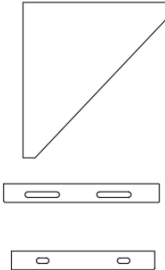
CODICI ARTICOLO ITEM NUMBER NUMÉRO D'ARTICLE ARTIKELNUMMER	DESCRIZIONE DESCRIPTION BESCHREIBUNG									
3162-A... 3162-Z...	Elemento di controllo fumi semplice con termometro Simple smoke test element with thermometer Élément de contrôle fumées simple avec thermomètre Einfaches Rauchschutzelement mit Thermometer									
FOTO PICTURE -PHOTO-BILD	DISEGNO DRAWING- DESSIN- ZEICHNUNG	Øi	Øe	H						
		80	100	250						
		100	120	250						
		---	---	---						
		---	---	---						
		---	---	---						
		---	---	---						
		---	---	---						
		---	---	---						


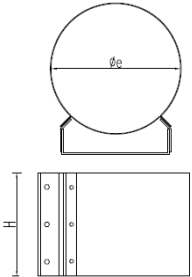
CODICI ARTICOLO ITEM NUMBER NUMÉRO D'ARTICLE ARTIKELNUMMER	DESCRIZIONE DESCRIPTION BESCHREIBUNG									
3255-A...Y 3255-Z...Y	Riduttori doppia parete Twin wall reducers Réductions double paroi Doppelwandreduzierungen									
FOTO PICTURE -PHOTO-BILD	DISEGNO DRAWING- DESSIN- ZEICHNUNG	Øi	Øe	H						
		80	100	150						
		100	120	150						
		---	---	---						
		---	---	---						
		---	---	---						
		---	---	---						
		---	---	---						
		---	---	---						

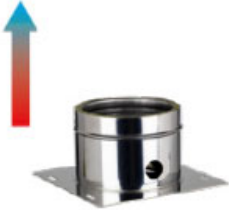
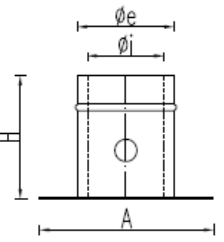
CODICI ARTICOLO ITEM NUMBER NUMÉRO D'ARTICLE ARTIKELNUMMER	DESCRIZIONE DESCRIPTION BESCHREIBUNG									
3056-A...Y 3056-Z...Y	Adattori doppia-mono parete Twin-single wall adaptors Adaptateurs double-simple paroi Doppel-Einzelwandadapter									
FOTO PICTURE -PHOTO-BILD	DISEGNO DRAWING- DESSIN- ZEICHNUNG	\varnothing_i	\varnothing_i	H						
		80	100	150						
		100	120	150						
		---	---	---						
		---	---	---						
		---	---	---						
		---	---	---						
		---	---	---						
		---	---	---						
		---	---	---						


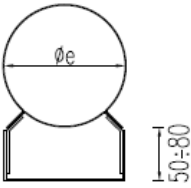
CODICI ARTICOLO ITEM NUMBER NUMÉRO D'ARTICLE ARTIKELNUMMER	DESCRIZIONE DESCRIPTION BESCHREIBUNG									
3056-A...W 3056-Z...W	Adattori doppia-mono parete Twin-single wall adaptors Adaptateurs double-simple paroi Doppel-Einzelwandadapter									
FOTO PICTURE -PHOTO-BILD	DISEGNO DRAWING- DESSIN- ZEICHNUNG	\varnothing_i	\varnothing_e	H						
		80	100	150						
		100	120	150						
		---	---	---						
		---	---	---						
		---	---	---						
		---	---	---						
		---	---	---						
		---	---	---						
		---	---	---						


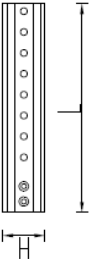
CODICI ARTICOLO ITEM NUMBER NUMÉRO D'ARTICLE ARTIKELNUMMER	DESCRIZIONE DESCRIPTION BESCHREIBUNG									
3104-A... 3104-Z...	Piastra di ancoraggio intermedia Intermediate anchorage plate Plaque d'encrage intermédiaire Zwischenankerplatte									
FOTO PICTURE -PHOTO-BILD	DISEGNO DRAWING- DESSIN- ZEICHNUNG	Øi	Øe	H	A					
		80	100	155	180					
		100	120	155	200					
		---	---	---	---					
		---	---	---	---					
		---	---	---	---					
		---	---	---	---					
		---	---	---	---					
		---	---	---	---					
		---	---	---	---					


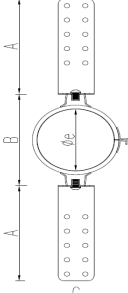
CODICI ARTICOLO ITEM NUMBER NUMÉRO D'ARTICLE ARTIKELNUMMER	DESCRIZIONE DESCRIPTION BESCHREIBUNG									
3108-A... 3108-Z...	Supporto a muro 50÷80 mm Wall support 50÷80 mm Équerre support mural 50÷80 mm Wandunterstützung 50÷80 mm									
FOTO PICTURE -PHOTO-BILD	DISEGNO DRAWING- DESSIN- ZEICHNUNG	Øi	Øe							
		80	100							
		100	120							
		---	---							
		---	---							
		---	---							
		---	---							
		---	---							
		---	---							


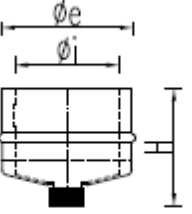
CODICI ARTICOLO ITEM NUMBER NUMÉRO D'ARTICLE ARTIKELNUMMER	DESCRIZIONE DESCRIPTION BESCHREIBUNG									
3116-A... 3116-Z...	Supporto a fascia 50÷80mm (solo fascia) Band support 50÷80mm (only band) Soutien bande 50÷80mm (seulement bande) Bandunterstützung 50÷80mm (nur Band)									
FOTO PICTURE -PHOTO-BILD	DISEGNO DRAWING- DESSIN- ZEICHNUNG	Øi	Øe	H						
		80	100	150						
		100	120	150						
		---	---	---						
		---	---	---						
		---	---	---						
		---	---	---						
		---	---	---						
		---	---	---						
		---	---	---						

CODICI ARTICOLO ITEM NUMBER NUMÉRO D'ARTICLE ARTIKELNUMMER	DESCRIZIONE DESCRIPTION BESCHREIBUNG									
3101-A... 3101-Z...	Base di partenza chiusa con scarico inferiore Starting closed base with bottom discharge Base de départ fermée avec de déchargement inférieur Bodenplatte mit unterem Kondensablauf									
FOTO PICTURE -PHOTO-BILD	DISEGNO DRAWING- DESSIN- ZEICHNUNG	Øi	Øe	A	H					
		80	100	180	150					
		100	120	200	150					
		---	---	---	---					
		---	---	---	---					
		---	---	---	---					
		---	---	---	---					
		---	---	---	---					
		---	---	---	---					
		---	---	---	---					


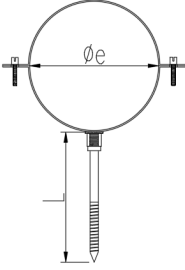
CODICI ARTICOLO ITEM NUMBER NUMÉRO D'ARTICLE ARTIKELNUMMER	DESCRIZIONE DESCRIPTION BESCHREIBUNG									
3354-A... 3354-Z...	Staffa a muro 50÷80mm nervata Moulded wall band 50÷80mm Bride murale 50÷80mm moulée Geformter Wandhalter 50÷80mm									
FOTO PICTURE -PHOTO-BILD	DISEGNO DRAWING- DESSIN- ZEICHNUNG	Øi	Øe							
		80	100							
		100	120							
		---	---							
		---	---							
		---	---							
		---	---							
		---	---							
		---	---							


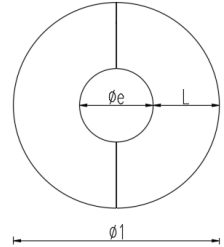
CODICI ARTICOLO ITEM NUMBER NUMÉRO D'ARTICLE ARTIKELNUMMER	DESCRIZIONE DESCRIPTION BESCHREIBUNG									
2355-A... 2355-Z...	Prolunghe per staffa a muro nervata Extensions for moulded wall band Extensions pour bride murale moulée Erweiterungen für geformter Wandhalter									
FOTO PICTURE -PHOTO-BILD	DISEGNO DRAWING- DESSIN- ZEICHNUNG	L	H							
		100	40							
		200	40							
		---	---							
		---	---							
		---	---							
		---	---							
		---	---							
		---	---							

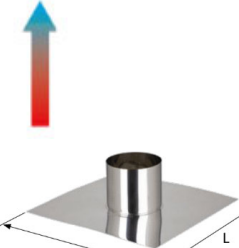
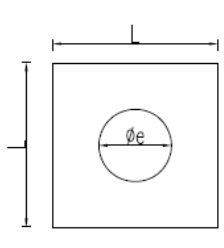
CODICI ARTICOLO ITEM NUMBER NUMÉRO D'ARTICLE ARTIKELNUMMER	DESCRIZIONE DESCRIPTION BESCHREIBUNG									
2357-A... 2357-Z...	Supporto ad alette regolabili (a farfalla) Support with adjustable wings Support avec ailes réglables Unterstützung mit verstellbaren Flügeln									
FOTO PICTURE -PHOTO-BILD	DISEGNO DRAWING- DESSIN- ZEICHNUNG	Øi	Øe	A	B	C				
		80	100	200	130	60				
		100	120	200	160	60				
		---	---	---	---	---				
		---	---	---	---	---				
		---	---	---	---	---				
		---	---	---	---	---				
		---	---	---	---	---				
		---	---	---	---	---				

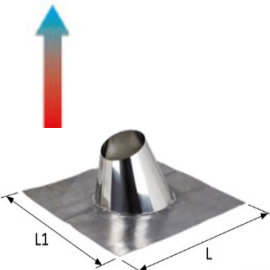
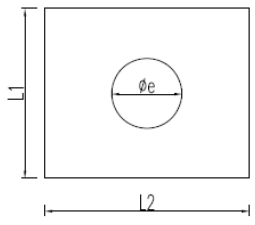
CODICI ARTICOLO ITEM NUMBER NUMÉRO D'ARTICLE ARTIKELNUMMER	DESCRIZIONE DESCRIPTION BESCHREIBUNG									
3202-A... 3202-Z...	Scarico condensa con 3/4" Condensation drain cap with plug 3/4" Tampon purge avec bouchon 3/4" Verschlusskappe mit Säuberung 3/4"									
FOTO PICTURE -PHOTO-BILD	DISEGNO DRAWING- DESSIN- ZEICHNUNG	Øi	Øe	H						
		80	100	90						
		100	120	90						
		---	---	---						
		---	---	---						
		---	---	---						
		---	---	---						
		---	---	---						
		---	---	---						


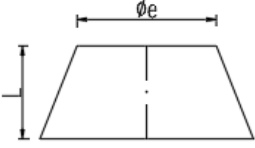
CODICI ARTICOLO ITEM NUMBER NUMÉRO D'ARTICLE ARTIKELNUMMER	DESCRIZIONE DESCRIPTION BESCHREIBUNG									
3353-A... 3353-Z...	Fascetta di giunzione Locking band Bride de sécurité Blockierungsband									
FOTO PICTURE -PHOTO-BILD	DISEGNO DRAWING- DESSIN- ZEICHNUNG	Øi	Øe							
		80	100							
		100	120							
		---	---							
		---	---							
		---	---							
		---	---							
		---	---							
		---	---							
		---	---							

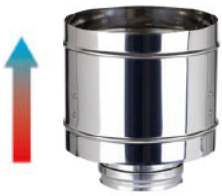
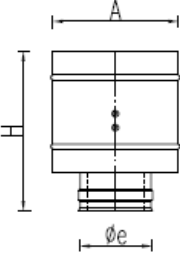
CODICI ARTICOLO ITEM NUMBER NUMÉRO D'ARTICLE ARTIKELNUMMER	DESCRIZIONE DESCRIPTION BESCHREIBUNG									
3357-A... 3357-Z...	Collare di fissaggio con tassello - Locking clamp with anchor Collier de fixation avec cheville - Befestigungskragen mit Dübel									
FOTO PICTURE -PHOTO-BILD	DISEGNO DRAWING- DESSIN- ZEICHNUNG	Øi	Øe							
		80	100							
		100	120							
		---	---							
		---	---							
		---	---							
		---	---							
		---	---							
		---	---							
		---	---							
		---	---							
		---	---							

CODICI ARTICOLO ITEM NUMBER NUMÉRO D'ARTICLE ARTIKELNUMMER	DESCRIZIONE DESCRIPTION BESCHREIBUNG								
3313-A... 3313-Z...	Rosone piano 0° -21° Flat ring 0° -21° Rosace platte 0° -21° Flacher Ring 0° -21°								
FOTO PICTURE -PHOTO-BILD	DISEGNO DRAWING- DESSIN- ZEICHNUNG	\varnothing_i	\varnothing_e	\varnothing_1					
		80	100	200					
		100	120	220					
		---	---	---					
		---	---	---					
		---	---	---					
		---	---	---					
		---	---	---					
		---	---	---					
		---	---	---					


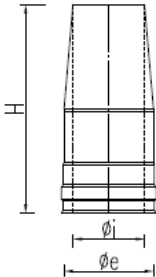
CODICI ARTICOLO ITEM NUMBER NUMÉRO D'ARTICLE ARTIKELNUMMER	DESCRIZIONE DESCRIPTION BESCHREIBUNG								
3302-A... 3302-Z...	Faldale piano base inox Flat flashing stainless steel base Solin plat base inox Flasche Abdichtung Base aus Edelstahl								
FOTO PICTURE -PHOTO-BILD	DISEGNO DRAWING- DESSIN- ZEICHNUNG	\varnothing_i	\varnothing_e	L					
		80	100	500					
		100	120	500					
		---	---	---					
		---	---	---					
		---	---	---					
		---	---	---					
		---	---	---					
		---	---	---					
		---	---	---					

CODICI ARTICOLO ITEM NUMBER NUMÉRO D'ARTICLE ARTIKELNUMMER	DESCRIZIONE DESCRIPTION BESCHREIBUNG									
3301-A... 3301-Z...	Faldale inclinato base piombo 17° - 21° Sloped flashing 17° - 21° lead base Solin incliné 17° - 21° base plomb Geneigte Abdichtung 17° - 21° Base aus Blei									
FOTO PICTURE -PHOTO-BILD	DISEGNO DRAWING- DESSIN- ZEICHNUNG	\varnothing_i	\varnothing_e	L1	L2					
		80	100	625	1000					
		100	120	625	1000					
		---	---	---	---					
		---	---	---	---					
		---	---	---	---					
		---	---	---	---					
		---	---	---	---					
		---	---	---	---					
		---	---	---	---					

CODICI ARTICOLO ITEM NUMBER NUMÉRO D'ARTICLE ARTIKELNUMMER	DESCRIZIONE DESCRIPTION BESCHREIBUNG									
3306-A... 3306-Z...	Scossalina per faldale Collar for flashing Collettere de solin Abdeckung für Abdichtung									
FOTO PICTURE -PHOTO-BILD	DISEGNO DRAWING- DESSIN- ZEICHNUNG	\varnothing_i	\varnothing_e	H						
		80	100	80						
		100	120	80						
		---	---	---						
		---	---	---						
		---	---	---						
		---	---	---						
		---	---	---						
		---	---	---						
		---	---	---						

CODICI ARTICOLO ITEM NUMBER NUMÉRO D'ARTICLE ARTIKELNUMMER	DESCRIZIONE DESCRIPTION BESCHREIBUNG									
3405-A... 3405-Z...	Terminale antivento Anti-wind cowl Chapeau anti refouleur Anti-Windhaube									
FOTO PICTURE -PHOTO-BILD	DISEGNO DRAWING- DESSIN- ZEICHNUNG	\varnothing_i	\varnothing_e	H	A					
		80	100	230	180					
		100	120	230	200					
		---	---	---	---					
		---	---	---	---					
		---	---	---	---					
		---	---	---	---					
		---	---	---	---					
		---	---	---	---					
		---	---	---	---					

CODICI ARTICOLO ITEM NUMBER NUMÉRO D'ARTICLE ARTIKELNUMMER	DESCRIZIONE DESCRIPTION BESCHREIBUNG									
3401-A... 3401-Z...	Terminale parapioggia Rain cowl Chapeau chinois Regen Abschlusselement									
FOTO PICTURE -PHOTO-BILD	DISEGNO DRAWING- DESSIN- ZEICHNUNG	\varnothing_i	\varnothing_e	H						
		80	100	170						
		100	120	180						
		---	---	---						
		---	---	---						
		---	---	---						
		---	---	---						
		---	---	---						
		---	---	---						
		---	---	---						

CODICI ARTICOLO ITEM NUMBER NUMÉRO D'ARTICLE ARTIKELNUMMER	DESCRIZIONE DESCRIPTION BESCHREIBUNG									
3403-A... 3403-Z...	Terminale conico Tapered cowl Chapeau conique Konisches Abschlusselement									
FOTO PICTURE -PHOTO-BILD	DISEGNO DRAWING- DESSIN- ZEICHNUNG	\varnothing_i	\varnothing_e	H						
		80	100	120						
		100	120	120						
		---	---	---						
		---	---	---						
		---	---	---						
		---	---	---						
		---	---	---						
		---	---	---						
		---	---	---						