



Leghe speciali  
Camini inox ad alta efficienza

CATALOGO TECNICO 2024  
Vers. CT\_COA.PPSINOX\_01-2024  
(01.02.2024)

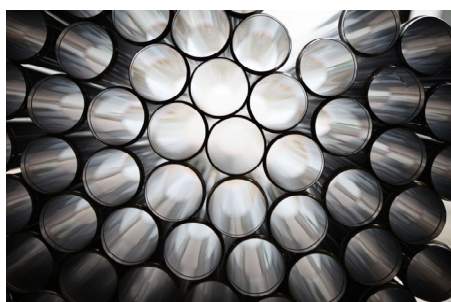
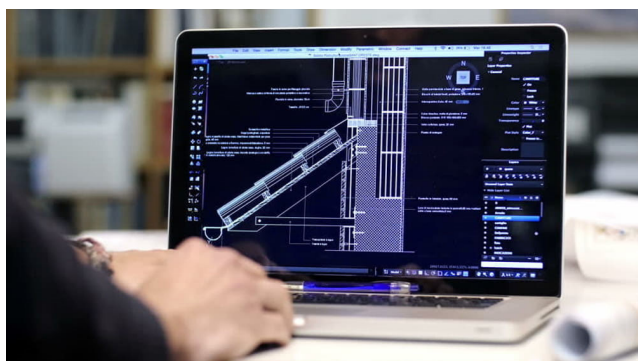
## CATALOGO TECNICO 2024

TECHNICAL CATALOGUE  
CATALOGUE TECHNIQUE  
TECHNISCHER KATALOG

2024

## COASSIALE PPS-INOX

CONCENTRIC PPS-SS  
CONCENTRIQUE PPS-INOX  
KOAXIAL PPS-EDELSTAHL



### Edizione 2024

Edition  
Édition  
Ausgabe

2024

## COASSIALE PPS-INOX

Il sistema COASSIALE PPS-INOX è composto da elementi componibili rigidi coassiali: la parete interna è in polipropilene bianco, diametri disponibili 60 e 80; la parete esterna è in acciaio inox Aisi 304 spessore 0,4 mm con finitura lucida BA. Su richiesta, la parete esterna può essere verniciata con colore Ral. I componenti interni hanno un innesto a bicchiere maschio-femmina con sede della guarnizione a triplo labbro. Per la parete esterna è utilizzato un incastro a tenuta meccanica tramite l'utilizzo della fascetta di giunzione.

**“LE MISURE RIPORTATE NEL SEGUENTE CATALOGO TECNICO NON SONO VINCOLANTI. M.T. SRL PUO’ VARIARE LE MISURE DI PRODUZIONE, IN BASE ALL’OTTIMIZZAZIONE, IN QUALSIASI MOMENTO”.**

## CONCENTRIC PPS-SS

The COASSIALE PPS-INOX system is made up of coaxial rigid modular elements: the internal wall is in white polypropylene, available diameters 60 and 80; the external wall is in Aisi 304 stainless steel 0,4 mm thick with BA polished finish. On request, the external wall can be painted in Ral colour. Internal elements have a spigot joint by slip on male-female coupling with triple lip gasket seat. The joint of the external wall is mechanically sealed, through the use of the locking band.

**“THE MEASURES GIVEN IN THE FOLLOWING TECHNICAL CATALOGUE ARE NOT BINDING. AT ANY TIME, COMPANY M.T. SRL MAY VARY THE PRODUCTION MEASURES, BASED ON THE OPTIMIZATION”.**

## CONCENTRIQUE PPS-INOX


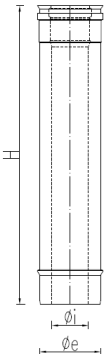
Le système COASSIALE PPS-INOX est composé par d'éléments modulaires rigides coaxiaux : la paroi interne est en polypropylène blanc, disponible en diamètres 60 et 80 ; la paroi extérieure est en acier inox Aisi 304 de 0,4 mm d'épaisseur avec finition polie BA. Sur demande, la paroi extérieure peut être peinte en couleur Ral. Les éléments internes ont un emboîtement étanche mâle-femelle avec un siège de joint à triple lèvre. Le joint de la paroi extérieure est par garniture mécanique, grâce à l'utilisation de la bride de sécurité.

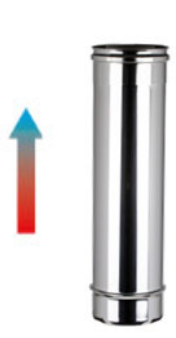
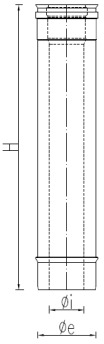
**“LES MESURES DONNÉES DANS LE CATALOGUE TECHNIQUE SUIVANT NE SONT PAS CONTRAIGNANTES. L'USINE M.T. SRL PEUT VARIER LES MESURES DE PRODUCTION, SUR LA BASE DE L'OPTIMISATION, A TOUT MOMENT”.**


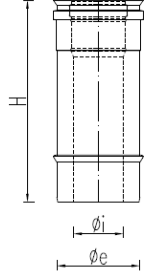
## KOAXIAL PPS-EDELSTAHL


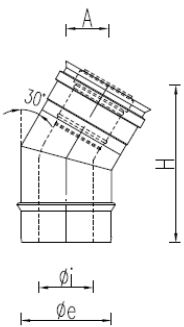
Das COASSIALE PPS-INOX System besteht aus koaxialen, starren Modulelementen: die Innenwand besteht aus weißem Polypropylen, verfügbar in den Durchmesser 60 und 80; die Außenwand besteht aus 0,4 mm dickem Edelstahl Aisi 304 mit polierter BA-Oberfläche. Auf Wunsch kann die Außenwand in RAL-Farbe gestrichen werden. Interne Elemente verfügen über eine Verbindung durch Mann-Weib Steckmuffen, mit Dreilippen-Dichtungssitz. Durch den Einsatz des Blockierungsbandes wird die Verbindung der Außenwand mechanisch abgedichtet.


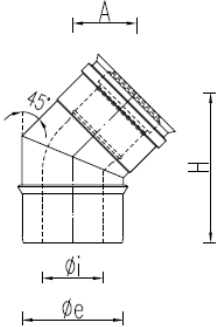
**“IM FOLGENDEN TECHNISCHEN KATALOG SIND DIE ANGEGBENEN MAßE NICHT BINDEND. FIRMA M.T. SRL KANN DIE PRODUKTIONSMASSNAHMEN AUFGRUND DER OPTIMIERUNG JEDERZEIT VARIIEREN”.**


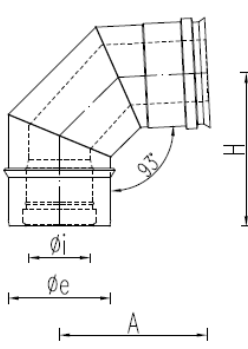
<b>CODICI ARTICOLO</b> ITEM NUMBER NUMÉRO D'ARTICLE ARTIKELNUMMER	<b>DESCRIZIONE</b> DESCRIPTION BESCHREIBUNG					
1001-F...	Elemento lineare L.1000 - Linear element L.1000 Élément droit L.1000 - Lineares Element L.1000					
<b>FOTO</b> PICTURE -PHOTO-BILD	<b>DISEGNO</b> DRAWING- DESSIN- ZEICHNUNG	$\varnothing_i$	$\varnothing_e$	H		
		60	100	1000		
		80	125	1000		
		---	---	---		
		---	---	---		
		---	---	---		
		---	---	---		
		---	---	---		
		---	---	---		
		---	---	---		
		---	---	---		
		---	---	---		


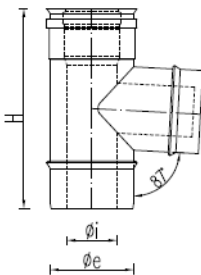
<b>CODICI ARTICOLO</b> ITEM NUMBER NUMÉRO D'ARTICLE ARTIKELNUMMER	<b>DESCRIZIONE</b> DESCRIPTION BESCHREIBUNG					
1002-F...	Elemento lineare L.500 - Linear element L.500 Élément droit L.500 - Lineares Element L.500					
<b>FOTO</b> PICTURE -PHOTO-BILD	<b>DISEGNO</b> DRAWING- DESSIN- ZEICHNUNG	$\varnothing_i$	$\varnothing_e$	H		
		60	100	500		
		80	125	500		
		---	---	---		
		---	---	---		
		---	---	---		
		---	---	---		
		---	---	---		
		---	---	---		
		---	---	---		
		---	---	---		
		---	---	---		


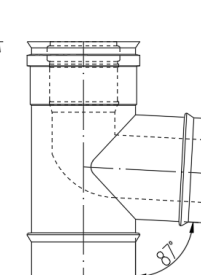
<b>CODICI ARTICOLO</b> ITEM NUMBER NUMÉRO D'ARTICLE ARTIKELNUMMER	<b>DESCRIZIONE</b> DESCRIPTION BESCHREIBUNG					
1003-F...	Elemento lineare L.250 - Linear element L.250 Élément droit L.250 - Lineares Element L.250					
<b>FOTO</b> PICTURE -PHOTO-BILD	<b>DISEGNO</b> DRAWING- DESSIN- ZEICHNUNG	$\varnothing_i$	$\varnothing_e$	H		
		60	100	250		
		80	125	250		
		---	---	---		
		---	---	---		
		---	---	---		
		---	---	---		
		---	---	---		
		---	---	---		
		---	---	---		
		---	---	---		
		---	---	---		


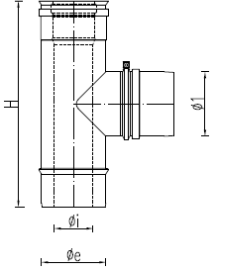
<b>CODICI ARTICOLO</b> ITEM NUMBER NUMÉRO D'ARTICLE ARTIKELNUMMER	<b>DESCRIZIONE</b> DESCRIPTION BESCHREIBUNG					
1252-F...	Curva 30° - 30° Bend Coude 30° - Winkelbogen 30°					
<b>FOTO</b> PICTURE -PHOTO-BILD	<b>DISEGNO</b> DRAWING- DESSIN- ZEICHNUNG	$\varnothing_i$	$\varnothing_e$	H	A	
		60	100	174	47	
		80	125	181	51	
		---	---	---	---	
		---	---	---	---	
		---	---	---	---	
		---	---	---	---	
		---	---	---	---	
		---	---	---	---	
		---	---	---	---	
		---	---	---	---	
		---	---	---	---	
		---	---	---	---	


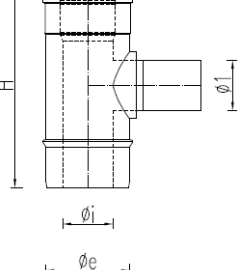
<b>CODICI ARTICOLO</b> ITEM NUMBER NUMÉRO D'ARTICLE ARTIKELNUMMER	<b>DESCRIZIONE</b> DESCRIPTION BESCHREIBUNG					
1253-F...	Curva 45° - 45° Bend Coude 45° - Winkelbogen 45°					
<b>FOTO</b> PICTURE -PHOTO-BILD	<b>DISEGNO</b> DRAWING- DESSIN- ZEICHNUNG	Øi	Øe	H	A	
		60	100	148	63	
		80	125	152	63	
		---	---	---	---	
		---	---	---	---	
		---	---	---	---	
		---	---	---	---	
		---	---	---	---	
		---	---	---	---	
		---	---	---	---	
		---	---	---	---	
		---	---	---	---	


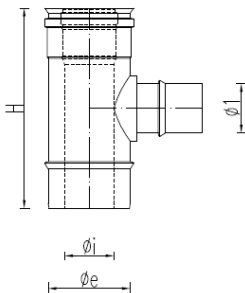
<b>CODICI ARTICOLO</b> ITEM NUMBER NUMÉRO D'ARTICLE ARTIKELNUMMER	<b>DESCRIZIONE</b> DESCRIPTION BESCHREIBUNG					
1254-F...	Curva 87° 87° Bend Coude 87° Winkelbogen 87°					
<b>FOTO</b> PICTURE -PHOTO-BILD	<b>DISEGNO</b> DRAWING- DESSIN- ZEICHNUNG	Øi	Øe	H	A	
		60	100	150	144	
		80	125	145	143	
		---	---	---	---	
		---	---	---	---	
		---	---	---	---	
		---	---	---	---	
		---	---	---	---	
		---	---	---	---	
		---	---	---	---	
		---	---	---	---	
		---	---	---	---	
		---	---	---	---	

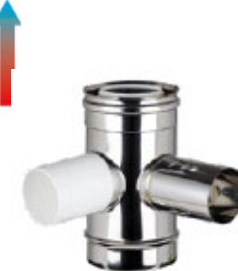
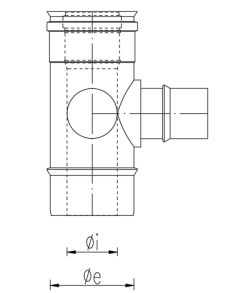
<b>CODICI ARTICOLO</b> ITEM NUMBER NUMÉRO D'ARTICLE ARTIKELNUMMER	<b>DESCRIZIONE</b> DESCRIPTION BESCHREIBUNG								
1051-F...	Raccordo a T 87° uscita coassiale 87° Tee pipe fitting concentric connection Raccord Té 87° sortie concentrique T-Anschluss 87° koaxiale Verbindung								
<b>FOTO</b> PICTURE -PHOTO-BILD	<b>DISEGNO</b> DRAWING- DESSIN- ZEICHNUNG	Øi	Øe	H					
		60	100	240					
		80	125	320					
		---	---	---					
		---	---	---					
		---	---	---					
		---	---	---					
		---	---	---					
		---	---	---					
		---	---	---					

<b>CODICI ARTICOLO</b> ITEM NUMBER NUMÉRO D'ARTICLE ARTIKELNUMMER	<b>DESCRIZIONE</b> DESCRIPTION BESCHREIBUNG								
1056-F...	Raccordo a T 87° con curva interna uscita coassiale 87° Tee pipe fitting with internal bend concentric connection Raccord Té 87° avec coude interne sortie concentrique T-Anschluss 87° innerem Winkelbogen koaxiale Verbindung								
<b>FOTO</b> PICTURE -PHOTO-BILD	<b>DISEGNO</b> DRAWING- DESSIN- ZEICHNUNG	Øi	Øe	H					
		60	100	240					
		80	125	320					
		---	---	---					
		---	---	---					
		---	---	---					
		---	---	---					
		---	---	---					
		---	---	---					
		---	---	---					
		---	---	---					
		---	---	---					

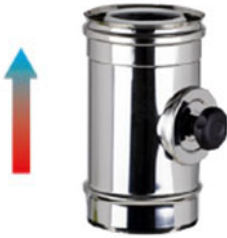
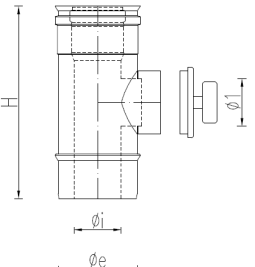
<b>CODICI ARTICOLO</b> ITEM NUMBER NUMÉRO D'ARTICLE ARTIKELNUMMER	<b>DESCRIZIONE</b> DESCRIPTION BESCHREIBUNG									
1050-F...	Elemento presa aria T 90° 90° Tee pipe fitting air intake Raccord Té 90° element prise d'air T-Anschluss 90° Lufteinlass									
<b>FOTO</b> PICTURE -PHOTO-BILD	<b>DISEGNO</b> DRAWING- DESSIN- ZEICHNUNG	Øi	Øe	H	Ø1					
		60	100	240	60					
		80	125	320	125					
		---	---	---	---					
		---	---	---	---					
		---	---	---	---					
		---	---	---	---					
		---	---	---	---					
		---	---	---	---					
		---	---	---	---					
		---	---	---	---					

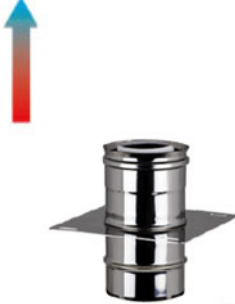
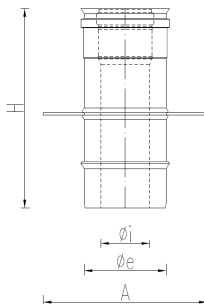
<b>CODICI ARTICOLO</b> ITEM NUMBER NUMÉRO D'ARTICLE ARTIKELNUMMER	<b>DESCRIZIONE</b> DESCRIPTION BESCHREIBUNG									
1052-F...	Raccordo a T 90° uscita MONO PPS (Fumi) 90° Tee pipe fitting single wall connection PPS (smokes) Raccord Té 90° simple paroi PPS (fumées) T-Anschluss 90° einzelwande Verbindung PPS (Rauch)									
<b>FOTO</b> PICTURE -PHOTO-BILD	<b>DISEGNO</b> DRAWING- DESSIN- ZEICHNUNG	Øi	Øe	H	Ø1					
		60	100	245	80					
		80	125	245	80					
		---	---	---	---					
		---	---	---	---					
		---	---	---	---					
		---	---	---	---					
		---	---	---	---					
		---	---	---	---					
		---	---	---	---					
		---	---	---	---					


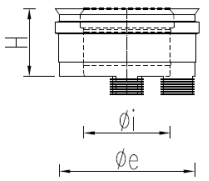
<b>CODICI ARTICOLO</b> ITEM NUMBER NUMÉRO D'ARTICLE ARTIKELNUMMER	<b>DESCRIZIONE</b> DESCRIPTION BESCHREIBUNG									
1054-F...	Raccordo a T 90° uscita MONO (Aria) 90° Tee pipe fitting single wall connection (air) Raccord Té 90° simple paroi (air) T-Anschluss 90° einzelwande Verbindung (Luft)									
<b>FOTO</b> PICTURE -PHOTO-BILD	<b>DISEGNO</b> DRAWING- DESSIN- ZEICHNUNG	Øi	Øe	H	Ø1					
		60	100	245	60					
		80	125	245	60					
		---	---	---	---					
		---	---	---	---					
		---	---	---	---					
		---	---	---	---					
		---	---	---	---					
		---	---	---	---					
		---	---	---	---					
		---	---	---	---					


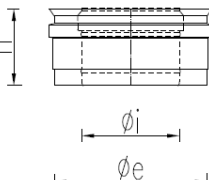
<b>CODICI ARTICOLO</b> ITEM NUMBER NUMÉRO D'ARTICLE ARTIKELNUMMER	<b>DESCRIZIONE</b> DESCRIPTION BESCHREIBUNG									
1053-F...	Raccordo 90° sdoppiato fumi-aria 90° Tee pipe fitting split flue-air connection Raccord Té 90° fumées-air divisé T-Anschluss 90° geteilter Abgas-Luft									
<b>FOTO</b> PICTURE -PHOTO-BILD	<b>DISEGNO</b> DRAWING- DESSIN- ZEICHNUNG	Øi	Øe							
		60	100							
		80	125							
		---	---							
		---	---							
		---	---							
		---	---							
		---	---							
		---	---							
		---	---							
		---	---							


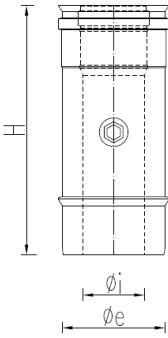



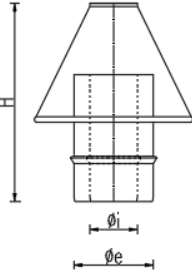
<b>CODICI ARTICOLO</b> ITEM NUMBER NUMÉRO D'ARTICLE ARTIKELNUMMER	<b>DESCRIZIONE</b> DESCRIPTION BESCHREIBUNG										
1058-F...	Elemento di ispezione con tappo Inspection element with plug Élément d'inspection avec tampon Inspektionselement mit Kappe										
<b>FOTO</b> PICTURE -PHOTO-BILD	<b>DISEGNO</b> DRAWING- DESSIN- ZEICHNUNG	$\varnothing_i$	$\varnothing_e$	H	$\varnothing_1$						
		60	100	245	80						
		80	125	245	80						
		---	---	---	---						
		---	---	---	---						
		---	---	---	---						
		---	---	---	---						
		---	---	---	---						
		---	---	---	---						
		---	---	---	---						


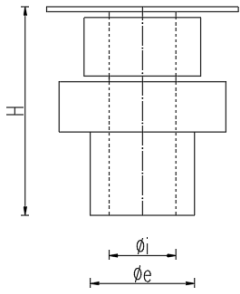
<b>CODICI ARTICOLO</b> ITEM NUMBER NUMÉRO D'ARTICLE ARTIKELNUMMER	<b>DESCRIZIONE</b> DESCRIPTION BESCHREIBUNG										
1102-F...	Piastra di ancoraggio intermedia - Intermediate anchorage plate Plaque d'encrage intermédiaire - Zwischenankerplatte										
<b>FOTO</b> PICTURE -PHOTO-BILD	<b>DISEGNO</b> DRAWING- DESSIN- ZEICHNUNG	$\varnothing_i$	$\varnothing_e$	H	A						
		60	100	245	200						
		80	125	245	230						
		---	---	---	---						
		---	---	---	---						
		---	---	---	---						
		---	---	---	---						
		---	---	---	---						
		---	---	---	---						
		---	---	---	---						
---	---	---	---								


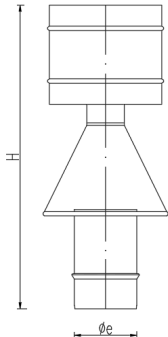
<b>CODICI ARTICOLO</b> ITEM NUMBER NUMÉRO D'ARTICLE ARTIKELNUMMER	<b>DESCRIZIONE</b> DESCRIPTION BESCHREIBUNG					
1201-F	Scarico condensa 3/4" Drain cap 3/4" Tampon purge 3/4" Verschlusskappe mit Säuberung 3/4"					
FOTO PICTURE -PHOTO-BILD	DISEGNO DRAWING- DESSIN- ZEICHNUNG	$\varnothing i$	$\varnothing e$	H		
		60	100	65		
		80	125	65		
		---	---	---		
		---	---	---		
		---	---	---		
		---	---	---		
		---	---	---		
		---	---	---		
		---	---	---		


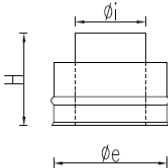
<b>CODICI ARTICOLO</b> ITEM NUMBER NUMÉRO D'ARTICLE ARTIKELNUMMER	<b>DESCRIZIONE</b> DESCRIPTION BESCHREIBUNG					
1204-F...	Tappo di chiusura Closing cap Tampon de fermeture Verschlusskappe					
FOTO PICTURE -PHOTO-BILD	DISEGNO DRAWING- DESSIN- ZEICHNUNG	$\varnothing i$	$\varnothing e$	H		
		60	100	65		
		80	125	65		
		---	---	---		
		---	---	---		
		---	---	---		
		---	---	---		
		---	---	---		
		---	---	---		
		---	---	---		

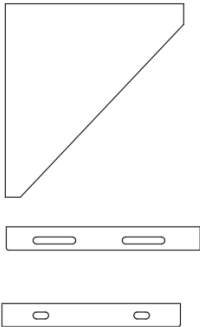
<b>CODICI ARTICOLO</b> ITEM NUMBER NUMÉRO D'ARTICLE ARTIKELNUMMER	<b>DESCRIZIONE</b> DESCRIPTION BESCHREIBUNG					
1163-F...	Elemento prelievo fumi Smoke extraction element Élément extraction de fumées Element Entrauchung					
FOTO PICTURE -PHOTO-BILD	DISEGNO DRAWING- DESSIN- ZEICHNUNG	$\varnothing i$	$\varnothing e$	H		
		60	100	245		
		80	125	245		
		---	---	---		
		---	---	---		
		---	---	---		
		---	---	---		
		---	---	---		
		---	---	---		
		---	---	---		
		---	---	---		
		---	---	---		


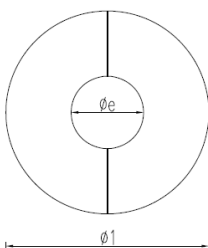
<b>CODICI ARTICOLO</b> ITEM NUMBER NUMÉRO D'ARTICLE ARTIKELNUMMER	<b>DESCRIZIONE</b> DESCRIPTION BESCHREIBUNG					
1403-F...	Terminale conico Tapered cowl Chapeau conique Konisches Abschlusselement					
FOTO PICTURE -PHOTO-BILD	DISEGNO DRAWING- DESSIN- ZEICHNUNG	$\varnothing i$	$\varnothing e$	H		
		60	100	250		
		80	125	250		
		---	---	---		
		---	---	---		
		---	---	---		
		---	---	---		
		---	---	---		
		---	---	---		
		---	---	---		
		---	---	---		
		---	---	---		


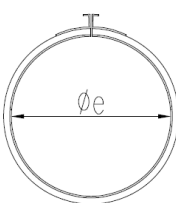
<b>CODICI ARTICOLO</b> ITEM NUMBER NUMÉRO D'ARTICLE ARTIKELNUMMER	<b>DESCRIZIONE</b> DESCRIPTION BESCHREIBUNG					
1401-F...	Terminale parapioggia Rain cowl Chapeau chinois Regen Abschlusselement					
<b>FOTO</b> PICTURE -PHOTO-BILD	<b>DISEGNO</b> DRAWING- DESSIN- ZEICHNUNG	$\varnothing_i$	$\varnothing_e$	H		
		60	100	250		
		80	125	250		
		---	---	---		
		---	---	---		
		---	---	---		
		---	---	---		
		---	---	---		
		---	---	---		
		---	---	---		
		---	---	---		
		---	---	---		


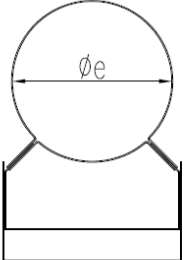
<b>CODICI ARTICOLO</b> ITEM NUMBER NUMÉRO D'ARTICLE ARTIKELNUMMER	<b>DESCRIZIONE</b> DESCRIPTION BESCHREIBUNG					
1405-F...	Terminale coassiale antivento Concentric anti-wind cowl Chapeau anti refouleur concentrique Koaxiale Anti-Windhaube					
<b>FOTO</b> PICTURE -PHOTO-BILD	<b>DISEGNO</b> DRAWING- DESSIN- ZEICHNUNG	$\varnothing_i$	$\varnothing_e$	H		
		60	100	490		
		80	125	490		
		---	---	---		
		---	---	---		
		---	---	---		
		---	---	---		
		---	---	---		
		---	---	---		
		---	---	---		
		---	---	---		
		---	---	---		

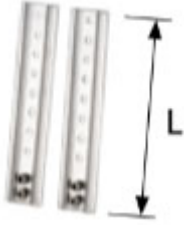
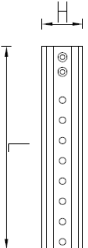
<b>CODICI ARTICOLO</b> ITEM NUMBER NUMÉRO D'ARTICLE ARTIKELNUMMER	<b>DESCRIZIONE</b> DESCRIPTION BESCHREIBUNG					
1255-F...	Riduzione Reducer Réduction Reduzierung					
FOTO PICTURE -PHOTO-BILD	DISEGNO DRAWING- DESSIN- ZEICHNUNG	$\varnothing i$	$\varnothing e$	H		
		60M-100	80F-125	150		
		---	---	---		
		---	---	---		
		---	---	---		
		---	---	---		
		---	---	---		
		---	---	---		
		---	---	---		
		---	---	---		
		---	---	---		


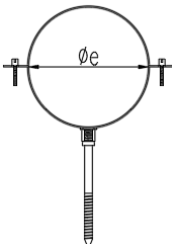
<b>CODICI ARTICOLO</b> ITEM NUMBER NUMÉRO D'ARTICLE ARTIKELNUMMER	<b>DESCRIZIONE</b> DESCRIPTION BESCHREIBUNG					
1103-C...	Supporto a muro Wall support Équerre support mural Wandunterstützung					
FOTO PICTURE -PHOTO-BILD	DISEGNO DRAWING- DESSIN- ZEICHNUNG	$\varnothing i$	$\varnothing e$			
		60	100			
		80	125			
		---	---			
		---	---			
		---	---			
		---	---			
		---	---			
		---	---			
		---	---			
		---	---			


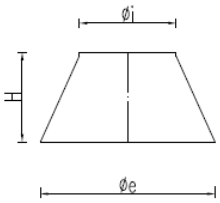
<b>CODICI ARTICOLO</b> ITEM NUMBER NUMÉRO D'ARTICLE ARTIKELNUMMER	<b>DESCRIZIONE</b> DESCRIPTION BESCHREIBUNG					
2313-C...	Rosone piano 0° ±21° Flat ring 0° ±21° Rosace platte 0° ±21° Flacher Ring 0° ±21°					
<b>FOTO</b> PICTURE -PHOTO-BILD	<b>DISEGNO</b> DRAWING- DESSIN- ZEICHNUNG	$\varnothing_i$	$\varnothing_e$	$\varnothing_1$	L	
		60	100	200	50	
		80	125	345	110	
		---	---	---	---	
		---	---	---	---	
		---	---	---	---	
		---	---	---	---	
		---	---	---	---	
		---	---	---	---	
		---	---	---	---	
		---	---	---	---	
		---	---	---	---	

<b>CODICI ARTICOLO</b> ITEM NUMBER NUMÉRO D'ARTICLE ARTIKELNUMMER	<b>DESCRIZIONE</b> DESCRIPTION BESCHREIBUNG					
1353-C...	Fascetta di giunzione Locking band Bride de sécurité Blockierungsband					
<b>FOTO</b> PICTURE -PHOTO-BILD	<b>DISEGNO</b> DRAWING- DESSIN- ZEICHNUNG	$\varnothing_i$	$\varnothing_e$			
		60	100			
		80	125			
		---	---			
		---	---			
		---	---			
		---	---			
		---	---			
		---	---			
		---	---			
		---	---			
		---	---			

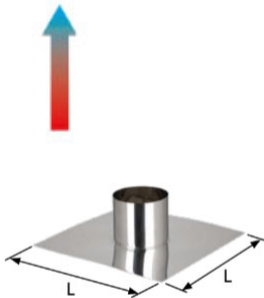
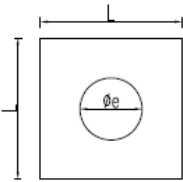
<b>CODICI ARTICOLO</b> ITEM NUMBER NUMÉRO D'ARTICLE ARTIKELNUMMER	<b>DESCRIZIONE</b> DESCRIPTION BESCHREIBUNG					
1354-C...	Staffa a muro 50÷80mm nervata Moulded wall band 50÷80mm Bride murale 50÷80mm moulée Geformter Wandhalter 50÷80mm					
<b>FOTO</b> PICTURE -PHOTO-BILD	<b>DISEGNO</b> DRAWING- DESSIN- ZEICHNUNG	$\varnothing_i$	$\varnothing_e$			
		60	100			
		80	125			
		---	---			
		---	---			
		---	---			
		---	---			
		---	---			
		---	---			
		---	---			
		---	---			
		---	---			

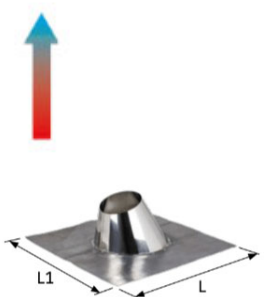
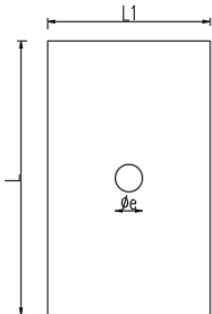
<b>CODICI ARTICOLO</b> ITEM NUMBER NUMÉRO D'ARTICLE ARTIKELNUMMER	<b>DESCRIZIONE</b> DESCRIPTION BESCHREIBUNG					
2355-A...	Prolunghe per staffa a muro nervata Extensions for moulded wall band Extensions pour bride murale moulée Erweiterungen für geformter Wandhalter					
<b>FOTO</b> PICTURE -PHOTO-BILD	<b>DISEGNO</b> DRAWING- DESSIN- ZEICHNUNG	L	H			
		100mm	40			
		200mm	40			
		---	---			
		---	---			
		---	---			
		---	---			
		---	---			
		---	---			
		---	---			
		---	---			
		---	---			


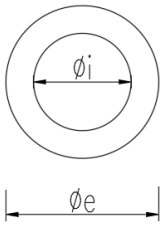
<b>CODICI ARTICOLO</b> ITEM NUMBER NUMÉRO D'ARTICLE ARTIKELNUMMER	<b>DESCRIZIONE</b> DESCRIPTION BESCHREIBUNG					
1357-C...	Collare di fissaggio con tassello Locking clamp with anchor Collier de fixation avec cheville Befestigungskragen mit Dübel					
<b>FOTO</b> PICTURE -PHOTO-BILD	<b>DISEGNO</b> DRAWING- DESSIN- ZEICHNUNG	$\varnothing_i$	$\varnothing_e$			
		60	100			
		80	125			
		---	---			
		---	---			
		---	---			
		---	---			
		---	---			
		---	---			
		---	---			
		---	---			
		---	---			

<b>CODICI ARTICOLO</b> ITEM NUMBER NUMÉRO D'ARTICLE ARTIKELNUMMER	<b>DESCRIZIONE</b> DESCRIPTION BESCHREIBUNG					
1306-C...	Scossalina per faldale Collar for flashing Collettere de solin Abdeckung für Abdichtung					
<b>FOTO</b> PICTURE -PHOTO-BILD	<b>DISEGNO</b> DRAWING- DESSIN- ZEICHNUNG	$\varnothing_i$	$\varnothing_e$	H		
		60	100	80		
		80	125	80		
		---	---	---		
		---	---	---		
		---	---	---		
		---	---	---		
		---	---	---		
		---	---	---		
		---	---	---		
		---	---	---		
		---	---	---		



<b>CODICI ARTICOLO</b> ITEM NUMBER NUMÉRO D'ARTICLE ARTIKELNUMMER	<b>DESCRIZIONE</b> DESCRIPTION BESCHREIBUNG					
1302-C...	Faldale piano base inox Flat flashing stainless steel base Solin plat base inox Flasche Abdichtung Base aus Edelstahl					
<b>FOTO</b> PICTURE -PHOTO-BILD	<b>DISEGNO</b> DRAWING- DESSIN- ZEICHNUNG	$\varnothing_i$	$\varnothing_e$	L		
		60	100	500		
		80	125	500		
		---	---	---		
		---	---	---		
		---	---	---		
		---	---	---		
		---	---	---		
		---	---	---		
		---	---	---		
		---	---	---		
		---	---	---		

<b>CODICI ARTICOLO</b> ITEM NUMBER NUMÉRO D'ARTICLE ARTIKELNUMMER	<b>DESCRIZIONE</b> DESCRIPTION BESCHREIBUNG					
1301-C...	Faldale inclinato base piombo 17° - 21° Sloped flashing 17° - 21° lead base Solin incliné 17° - 21° base plomb Geneigte Abdichtung 17° - 21° Base aus Blei					
<b>FOTO</b> PICTURE -PHOTO-BILD	<b>DISEGNO</b> DRAWING- DESSIN- ZEICHNUNG	$\varnothing_i$	$\varnothing_e$	L1	L	
		60	100	620	1000	
		80	125	620	1000	
		---	---	---	---	
		---	---	---	---	
		---	---	---	---	
		---	---	---	---	
		---	---	---	---	
		---	---	---	---	
		---	---	---	---	
		---	---	---	---	
		---	---	---	---	

<b>CODICI ARTICOLO</b> ITEM NUMBER NUMÉRO D'ARTICLE ARTIKELNUMMER	<b>DESCRIZIONE</b> DESCRIPTION BESCHREIBUNG					
1414-F...	Rosone - Ring Rosace - Ring					
<b>FOTO</b> PICTURE -PHOTO-BILD	<b>DISEGNO</b> DRAWING- DESSIN- ZEICHNUNG	$\varnothing_i$	$\varnothing_e$	$\varnothing_1$	L	
		60	100	200	50	
		80	125	225	50	
		---	---	---	---	
		---	---	---	---	
		---	---	---	---	
		---	---	---	---	
		---	---	---	---	
		---	---	---	---	
		---	---	---	---	
		---	---	---	---	
		---	---	---	---	